



FOOD WARMERS: FOOD SERVERS SINGLE WELL

Model FS-2



FS-2 82700



ALSO AVAILABLE FOR EXPORT

BID DESCRIPTION

All stainless steel construction with a polished finish. The FS-2 comes complete with an exclusive 1½ quart (1.4 L) bowl (82707), 1 ounce (30 mL) ladle (82717) and lift-off lid.

The adjustable, precalibrated thermostat controls a 250 watt heating element. Temperature settings are marked on the thermostat knob. Power is controlled with an ON/OFF rocker switch.

STANDARD FEATURES

- All stainless steel construction for durability
- Lift-off lid is shaped to cover ladle (opening) and protect product
- Water fill line eliminates overflow accidents
- 250 watt heating element for reliable heating and holding
- NSF-certified as a rethermalization unit
- Adjustable precalibrated thermostat for accurate heat control
- Temperature marks on thermostat knob
- Exclusive 1½ qt (1.4 L) stainless steel bowl
- 1 oz (30 mL) ladle to serve product

ACCESSORY ITEMS

- 1½ qt (1.4 L) Stainless Steel Bowl 82707
- 1 oz (30 mL) 4" (10.2 cm) Ladle 82717

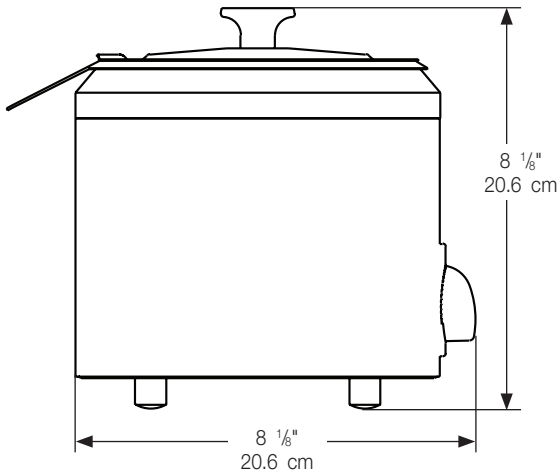
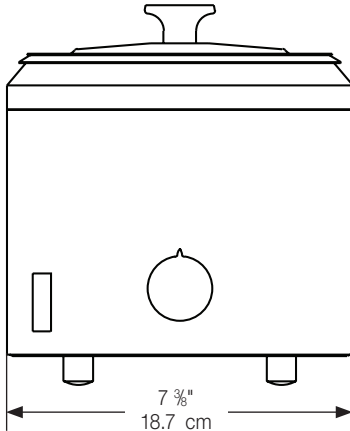
TWO YEAR WARRANTY

Server Products equipment is backed by a two-year limited warranty against defects in materials and workmanship. For a copy of our complete warranty statement, please refer to server-products.com.


FOOD WARMERS: FOOD SERVERS SINGLE WELL

Model FS-2

FOOD SERVER/COOKER
FS-2 82700



SPECIFICATIONS

Construction	All stainless steel with a polished finish. Complete with 1½ qt (1.4 L) bowl, 1 oz (30 mL) 4" (10.2 cm) ladle and lift-off lid.		
Certifications	NSF, NSF Rethermalization, C UL US NSF listing for rethermalization ensures food is quickly heated to a safe temperature before bacteria has an opportunity to grow. 		
Capacity	1½ quart (1.4 L) capacity		
Dimensions	Height	Width	Depth
	8 1/8" 20.6 cm	7 3/8" 18.7 cm	8 1/8" 20.6 cm
Electrical	120V, 60Hz, 250W, 2.1A, 72 in (183 cm) cord set NEMA 5-15P, 15A, 125V PLUG		
Weight	6 lb (2.7 kg)		

FOB RICHFIELD, WISCONSIN 53076

CAD LIBRARY

Individual CAD images can be downloaded from our website. We are also a member of The KCL CADalog with more than 100 other manufacturers. Our complete collection of CAD files can be purchased through Kochman Consultants, Ltd. at kclcad.com.