

# TOPPING STATIONS INSULATED MINI BAR COMBOS

Models MB-2, MB-3 & MB-4



MB-2 87470



MB-3 87290



MB-4 87480

## BID DESCRIPTION

Mini Bar combinations have an insulated base with stainless steel housing for countertop use. Each combination model includes multiples of the following components: black plastic 1/9-size jar, 6" (15.2 cm) deep, stainless steel hinged lid and 1 oz (30 mL) stainless steel ladle with a 6" handle.

Insulated Mini Bars can be iced or accept Round Eutectic Ice Pack(s) 94013 (purchased separately); MB-4 and MB-3 accept (2), MB-2 accepts (1).

## STANDARD FEATURES

- Stainless steel housing has a brushed finish to reduce the visibility of fingerprints
- Exclusive 1/9-size jars hold 1.9 quarts (1.8 L) each
- Clearly identify contents with colored, engraved lid knobs (furnished upon request)
- See Mini Bar Component Guide, to create your own combination for countertop or drop-in applications

## ACCESSORY ITEMS

- 1/9-Size Jar, 3 1/2" (8.9 cm), Black Plastic 87202
- Ladle, 4" (10.2 cm) Handle, Stainless Steel 82717
- 1/9-Size Jar, 6" (15.2 cm), Black Plastic 87203
- Ladle, 6" (15.2 cm) Handle, Stainless Steel 87213
- Eutectic Ice Pack, Round 94013

## TWO YEAR WARRANTY

Server Products equipment is backed by a two-year limited warranty against defects in materials and workmanship. For a copy of our complete warranty statement, please refer to [server-products.com](http://server-products.com).

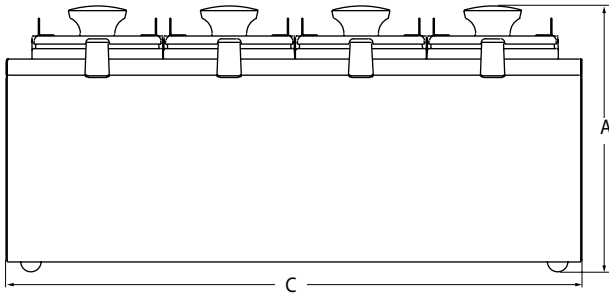
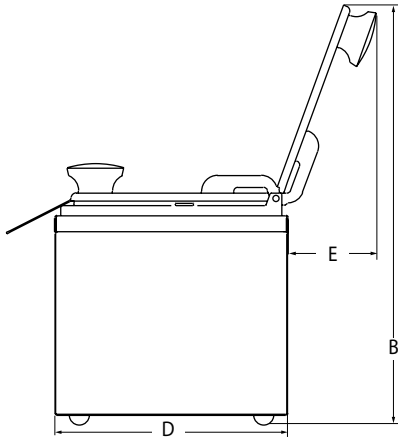
## CAD LIBRARY

Individual CAD images can be downloaded free of charge from our website. Our complete collection of CAD files, along with more than 100 other manufacturers, can be purchased through Kochman Consultants, Ltd. at [kclcad.com](http://kclcad.com).

# TOPPING STATIONS INSULATED MINI BAR COMBOS

Models MB-2, MB-3 & MB-4

## MINI BAR MULTIPLES



MODEL	MB-2 87470	MB-3 87290	MB-4 87480
Capacity (per jar)	1.9 qt 1.8 L	1.9 qt 1.8 L	1.9 qt 1.8 L
A-Height	9 <sup>7</sup> / <sub>16</sub> " 24 cm	9 <sup>7</sup> / <sub>16</sub> " 24 cm	9 <sup>7</sup> / <sub>16</sub> " 24 cm
B-Height	14 <sup>3</sup> / <sub>16</sub> " 36 cm	14 <sup>3</sup> / <sub>16</sub> " 36 cm	14 <sup>3</sup> / <sub>16</sub> " 36 cm
C-Width	10" 25.4 cm	14 <sup>1</sup> / <sub>32</sub> " 35.6 cm	18 <sup>1</sup> / <sub>16</sub> " 45.9 cm
D-Depth	8 <sup>1</sup> / <sub>4</sub> " 21 cm	8 <sup>1</sup> / <sub>4</sub> " 21 cm	8 <sup>1</sup> / <sub>4</sub> " 21 cm
E-Depth	2 <sup>11</sup> / <sub>16</sub> " 6.8 cm	2 <sup>11</sup> / <sub>16</sub> " 6.8 cm	2 <sup>11</sup> / <sub>16</sub> " 6.8 cm
Weight	6 lb 2.7 kg	8 lb 3.6 kg	10 lb 4.5 kg

FOB RICHFIELD, WISCONSIN 53076