



COLD FOOD HOLDERS

EZ-CREAM™ DAIRY DISPENSER

Model CSP



EZ-CREAM™ CSP 94160 $\frac{5}{16}$ oz (9.2 mL)



ALSO AVAILABLE FOR EXPORT

TWO YEAR WARRANTY

Server Products equipment is backed by a two-year limited warranty against defects in materials and workmanship. For a copy of our complete warranty statement, please refer to server-products.com.

BID DESCRIPTION

The EZ-Cream™ Dairy Dispenser utilizes thermoelectric technology to chill a 2 quart (1.9 L) vessel. An integrated discharge tube chiller ensures dairy product is kept at a safe serving temperature for the entire holding and serving process.

The unit is constructed of a stainless steel base with brushed finish, an insulated plastic lid, an anodized aluminum serving vessel and stainless steel pump. The pump is preset for a $\frac{5}{16}$ oz (9.2 mL) serving (equivalent to common creamer tubs) and adjustable in $\frac{1}{8}$ oz (3.7 mL) increments with a maximum stroke of 1 oz (30 mL).

Thermoelectric (solid-state) chillers have no compressor, offer big space savings and are extremely energy efficient. In operation, the EZ-Cream™ holds dairy consistently below 41°F (5°C) in up to 86°F (30°C) ambient temperature. A lighted on/off rocker switch controls the cooling mechanism.

STANDARD FEATURES

- NSF listed for potentially hazardous food including dairy; NSF Standard 18 & 20
- Discharge tube chiller ensures food stays at a safe serving temperature throughout the serving process
- Stainless steel pump preset for $\frac{5}{16}$ oz (9.2 mL) portion (equivalent to common creamer tubs); quickly serves dairy where you need it, like the drive-thru window
- Thermoelectric operation assures quiet and efficient operation
- Specialized valve helps prevent dairy product from splashing
- Holds consistently below 41°F (5°C) to keep your dairy safe
- Includes 5 vent filters, 2 pump cleaning brushes and a tube of food equipment lube
- Removable anodized aluminum 2 qt (1.9 L) serving vessel
- 7 foot (2.1 m) power cord with 120V power supply converts 1 Amp AC to 12V DC

ACCESSORY ITEMS

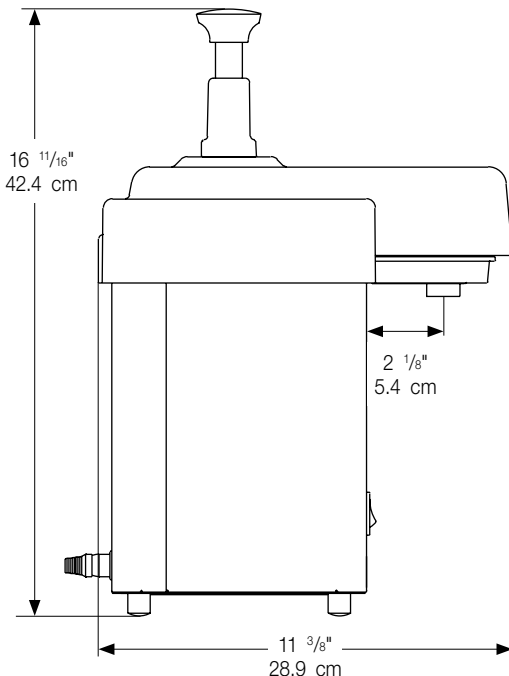
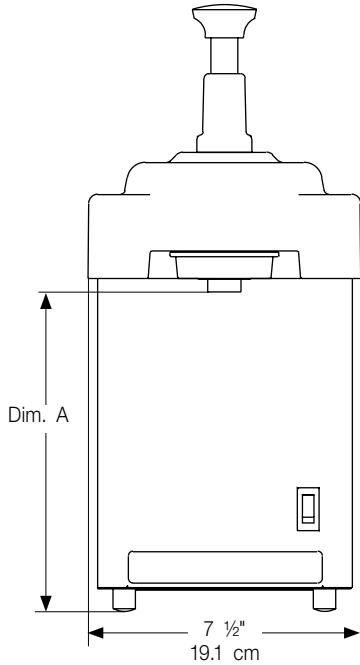
- $\frac{5}{16}$ oz (9.2 mL) Preset Pump Only 94150
- Replacement Vent Filter (5 pk) 86067

COLD FOOD HOLDERS

EZ-CREAM™ DAIRY DISPENSER

Model CSP

EZ-CREAM™ CSP 94160



MODEL	EZ-CREAM™ CSP 94160 Preset to 5/16 oz (9.2 mL)
Capacity	2 qt 1.9 L
Height	16 11/16" 42.4 cm
Width	7 1/2" 19.1 cm
Depth	11 3/8" 28.9 cm
Dim. A	8 13/16" 22.4 cm
Weight	13 lb 5.9 kg
Electrical	Power supply converts 120V 1 Amp AC to 12V DC power with 7' (2.1 m) power cord NEMA, 15A, 125V PLUG

FOB RICHFIELD, WISCONSIN 53076

CAD LIBRARY

Individual CAD images can be downloaded free of charge from our website. Our complete collection of CAD files, along with more than 100 other manufacturers, can be purchased through Kochman Consultants, Ltd. at kclcad.com.