

# TOPPING STATIONS BEVERAGE STATION

Models BS, CSP, BSB-2, BSB-3 & INS



**BEVERAGE STATION <sup>5</sup>/<sub>16</sub> OZ BS 81030**



**TRIPLE WALL-MOUNT SHELF BSB-3 80075**  
(InSeason™ Dispensers sold Separately)



**QUAD WALL-MOUNT SHELF BSB-4 80076**  
(InSeason™ Dispensers sold Separately)

## BID DESCRIPTION

The Beverage Station is ideal for dispensing chilled cream and other dairy products and various granular sweetener brands into cups of coffee, particularly at the drive-thru window. Unit comes complete with an EZ-Cream™ Dairy Dispenser, (3) InSeason™ Sweetener Dispensers and held together with a stainless steel stand.

The EZ-Cream™ Dairy Dispenser 94160 utilizes thermoelectric technology to chill a 2 quart (1.9 L) removable food vessel. It features an integrated discharge tube chiller block, which ensures food is kept at a safe serving temperature for the entire holding and serving process. In operation, the EZ-Cream™ Dairy Dispenser holds product consistently below 41°F (5°C) in up to 86°F (30°C) ambient temperature. Specialized discharge valve keeps cream from splashing. The EZ-Cream™ Dairy Dispenser is customized to dispense a <sup>5</sup>/<sub>16</sub> oz (9.2 mL) portion per stroke which is equivalent to the common creamer packet but can be portion adjusted.

The InSeason™ (INS) Sweetener Dispensers have a 10 oz (296 mL) capacity and have different color coded portion triggers for easy brand identification: pink for Sweet 'N Low®, blue for Equal®, yellow for Splenda® and green for sugar. Pink, blue & yellow have a <sup>1</sup>/<sub>3</sub> tsp (1.64 mL) portion per compression which is equivalent to a packet of sweetener and green has a <sup>1</sup>/<sub>2</sub> tsp (2.46 mL) portion which is equivalent to many common size packets of sugar.

Wall-mount shelves for holding InSeason™ dispensers are also available. The BSB-3 and BSB-4 hold 3 and 4 InSeason™ dispensers respectively.

## STANDARD FEATURES

- EZ-Cream™ Dairy Dispenser is NSF listed for potentially hazardous food including dairy; NSF Standard 18 & 20
- EZ-Cream™ Dairy Dispenser dispenses <sup>5</sup>/<sub>16</sub> oz (9.2 mL) portion per stroke
- InSeason™ Dispensers are NSF listed and are color coded for brand identification

## ACCESSORY ITEMS

- EZ-Cream™ Dairy Dispenser CSP <sup>5</sup>/<sub>16</sub> oz 94160
- InSeason™ Sweetener Dispensers INS 87148 (Pink, Blue, Yellow) & INS 87142 Green

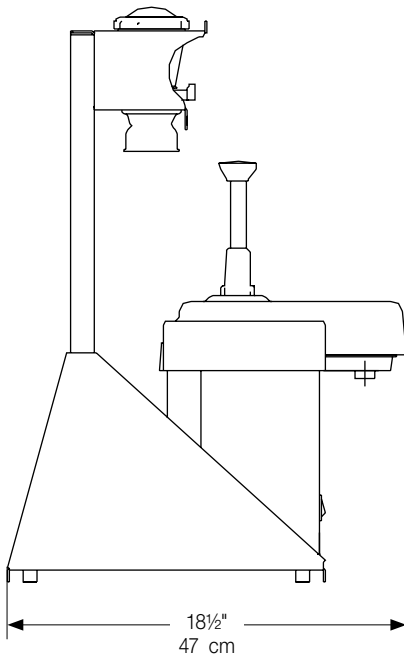
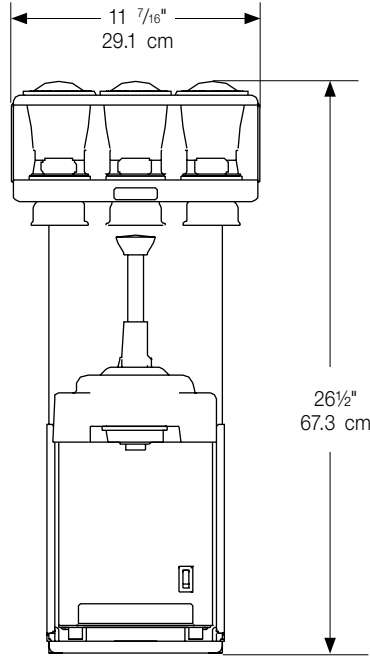


ALSO AVAILABLE FOR EXPORT

# TOPPING STATIONS BEVERAGE STATION

Models BS, CSP, BSB-2, BSB-3 & INS

## BEVERAGE STATION 5/16 OZ BS 81030



MODEL	BEVERAGE STATION	
Capacity	EZ-Cream™ 2 qt 1.9 L	InSeason™ 10 oz 296 mL
Height	26 1/2" 67.3 cm	
Width	11 7/16" 29.1 cm	
Depth	18 1/2" 47 cm	
Weight	27 lb 12.2 kg	
Electrical (CSP 94160)	Power supply converts 120V 1 Amp AC to 12V DC power with 7' (2.1 m) power cord NEMA 5-1 5P, 15A, 125V PLUG	

FOB RICHFIELD, WISCONSIN 53076

## TWO YEAR WARRANTY

Server Products equipment is backed by a two-year limited warranty against defects in materials and workmanship. For a copy of our complete warranty statement, please refer to [server-products.com](http://server-products.com).

## CAD LIBRARY

Individual CAD images can be downloaded free of charge from our website. Our complete collection of CAD files, along with more than 100 other manufacturers, can be purchased through Kochman Consultants, Ltd. at [kclcad.com](http://kclcad.com).