

**PATENT
PENDING**

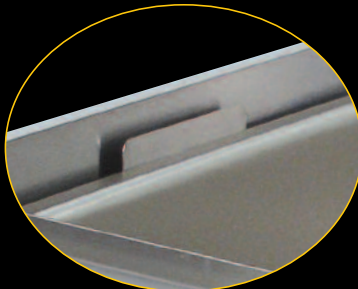


*Introducing
the All New
SHD Series Drawer
with Revolutionary
Integral Drawer Slides*

- Stainless Steel Front & Sides
- Self Closing Drawer with Noise Control
- Drawer "Safety Stop" Tab
- Removable Stainless Steel Inset
- Units Can Be Stacked to Create Tier Drawers
- Hardware Included
- NSF Approved

Available Models

SHD-2015	20" x 15" x 5"
SHD-2020	20" x 20" x 5"



SHD Series Drawer
Features a "Safety Stop" Tab

For Additional Info. on These Drawers or Any Advance Tabco Product,
Visit Us on the Web at: www.advancetabco.com, Call Us at: 800-498-6634,
or Email Us at: smartfab@advancetabco.com


ADVANCE TABCO®
SMART FABRICATION™

TYPICAL SPECIFICATION

- Item 31 to be Advance Tabco VKS-series work table with SHD Drawer, size per plan.
- Item 31 to be Advance Tabco VKS-306 work table 30 x 72 with 10" rear splash, 14 gauge stainless steel top with countertop edge, stainless steel undershelf and legs. To include SHD-Drawer featuring integral drawer slides mounted on left end...

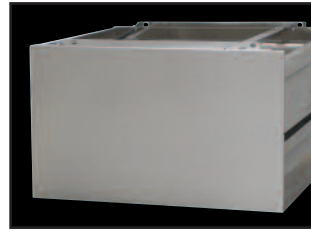
Drawers Stack with Ease to Create Tier Drawers!

Easily installs in field

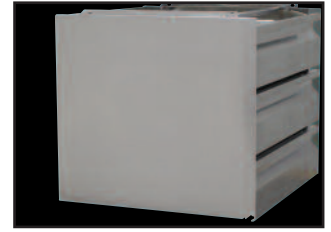
OPTIONAL CONCEALED SIDE PANELS (For 20"x20" Drawers) (1 needed for each side)



1 Drawer:
TA-SHD-1 per side



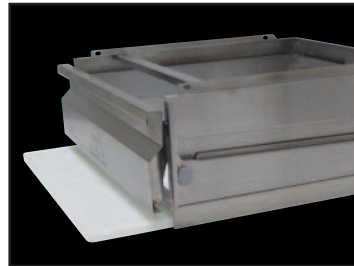
2 Drawers:
TA-SHD-2 per side



3 Drawers:
TA-SHD-3 per side

SHD DRAWER ACCESSORIES & MODIFICATIONS

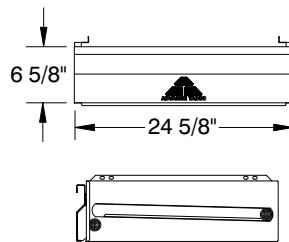
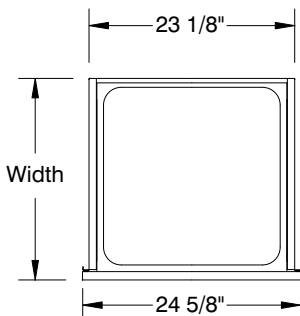
- Modify a Concealed Side Panel for 20"x15" Drawer TA-2 ea.
- Drawer Lock TA-14SHD
- Pad Lock Hasp..... TA-13
- Drawers Modified To 15" L/R x 20" F/BTA-50
- Poly Board Storage Brackets For SHD DrawersTA-97SHD
- 5/8" Thick Poly Board Cutting Boards For SHD DrawersTA-41SHD



TA-97SHD Poly Board Storage Bracket
(Installs in Field. Hardware Included)



Rear View of Multiple Stacked Drawers
Drawer Seams Exposed



MODEL #	Width	Description	Inset
SHD-2015	17 1/4"	Stainless Steel	20" x 15" x 5"
SHD-2020	22 3/4"	Stainless Steel	20" x 20" x 5"



ADT Series
Add-A-Tier Drawers



TA-38
Factory Installed Drawers



MDC Series
Mobile Drawer Cabinets



BEST IN CLASS

Advance Tabco has been chosen BEST IN CLASS for the last six years from our business partners for Sinks, Worktables, and Smart Fab Stainless Steel Fabrication.

