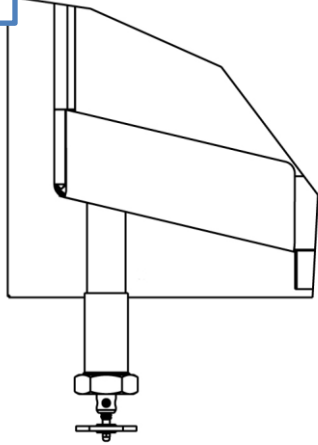


Draw-off valve styles for VE30, VE40, VG30 & VG40 Braising Pans

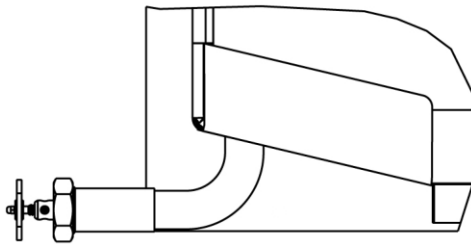
BPDOV 1



2" Draw-off valve –left front straight with strainer

Pan Support
40-gallon available
30-gallon **NOT** available

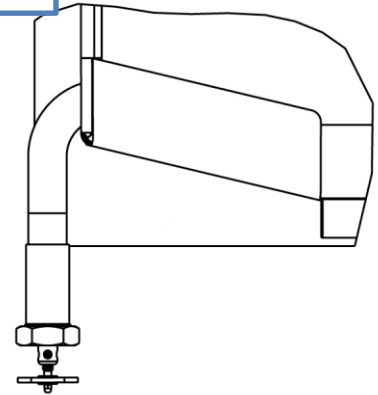
BPDOV 2



2" Draw-off valve –left front 90° left with strainer

Pan Support
40-gallon available
30-gallon **NOT** available

BPDOV 3



2" Draw-off valve – left side 90° front with strainer

Pan Support
40-gallon available
30-gallon available

Dealer: _____

End User: _____

PO No.: _____

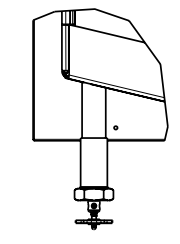
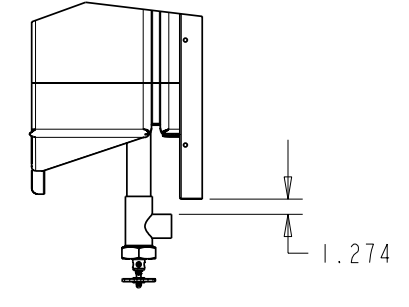
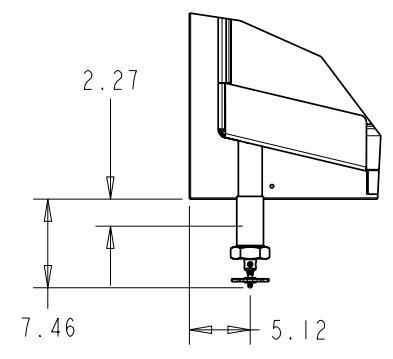
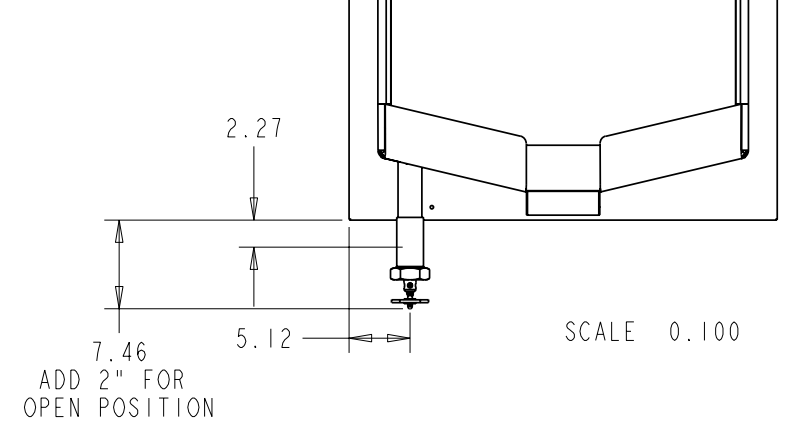
City : _____

Rep: _____

State : _____

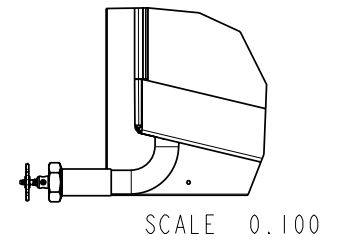
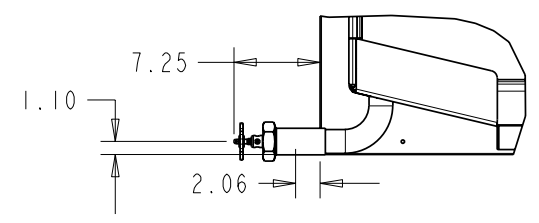
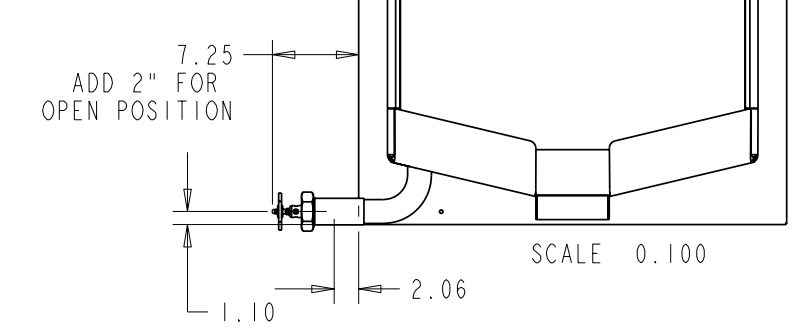
+ ADD		- REMOVE		± WAS	
LTR	REVISION	ZONE	DATE	PCN NO	

(40 GAL. ONLY)



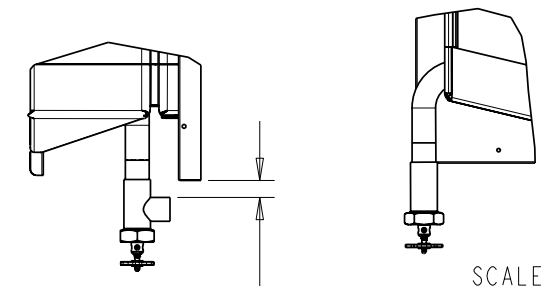
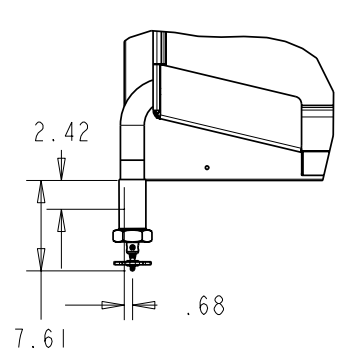
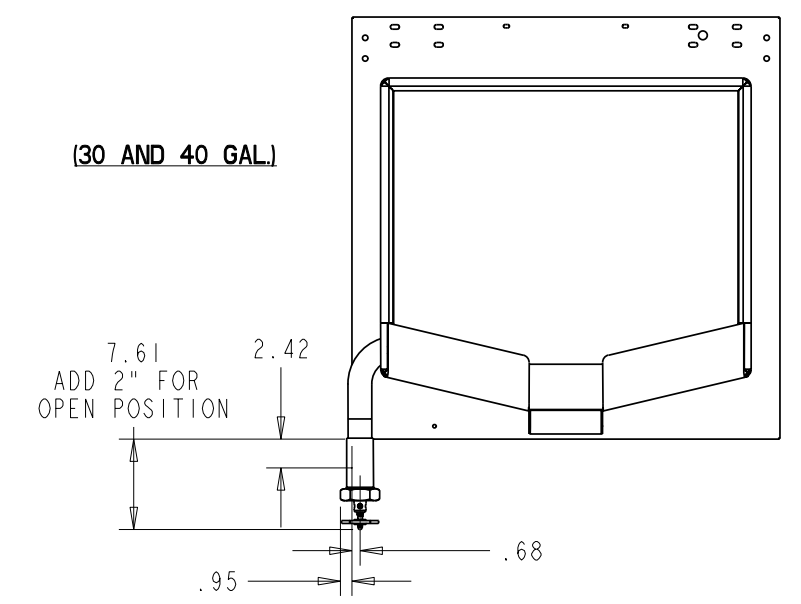
SCALE 0.100

(30 AND 40 GAL.)



SCALE 0.100

(30 AND 40 GAL.)



SCALE 0.100

REF		CK		ANY VENDOR SUPPLYING PARTS UNDER THIS DRAWING AGREES NOT TO REVISE ANY PHYSICAL, DIMENSIONAL, MATERIAL OR PERFORMANCE CHARACTERISTICS OF SUCH PARTS AFTER APPROVAL BY ITW FOOD EQUIPMENT GROUP OF VENDOR'S SAMPLES UNLESS AUTHORIZED IN WRITING BY ITW FOOD EQUIPMENT GROUP.	
DRAWING STATUS				THIS DOCUMENT CONTAINS PROPRIETARY AND CONFIDENTIAL DATA OF ITW FOOD EQUIPMENT GROUP. NO DISCLOSURE, REPRODUCTION, OR USE OF ANY PART THEREOF MAY BE MADE WITHOUT WRITTEN PERMISSION OF ITW FOOD EQUIPMENT GROUP.	
STATUS _____ SUPERSEDED BY _____ FOR SERVICE USE _____				ITW FOOD EQUIPMENT GROUP	
TOLERANCES NOT SPECIFIED:				PAN WELDMNT	
PUNCHED HOLE TOLERANCES ± .005				NEW BRAISING PAN	
DRILLED HOLE TOLERANCES UP TO .124 DIA. +.003 - .001 .125 TO .249 DIA. +.004 - .002 .250 TO .624 DIA. +.005 - .002 .625 TO 3.000 DIA. +.010 - .002				PROF/ENGINEER DRAWING DATA: Model: 00-854600-00000 Link Model Rev: E Link Model Ver: 5 Drawing: 00-854745 Type: ASSEM Date: 05-Nov-09	
CHAMFERS DESIGNATED BY (C) .020/.040X45°/50°				MATERIAL SEE NOTE	
ANGLES: ±1°				FINISH N/A	
STOCK SIZES: STANDARD COMMERCIAL TOLERANCES APPLY				SCALE 1.000	
ALL DIMENSIONS IN INCHES UNLESS OTHERWISE SPECIFIED				PART NO. 2854297-200	
DO NOT SCALE DRAWING REPORT ERRORS IMMEDIATELY				DATE 8/7/02	
ENGR: ELEC MATL PACK PROD				DRAWING NO. 00-854745	
				SHEET 4 OF 4 REV E	