

# Fv 913

CounterTop Forced Air Automatic Defrost Freezer

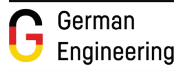


**LIEBHERR**

# Fv 913

Premium

CounterTop Forced Air Automatic Defrost Freezer

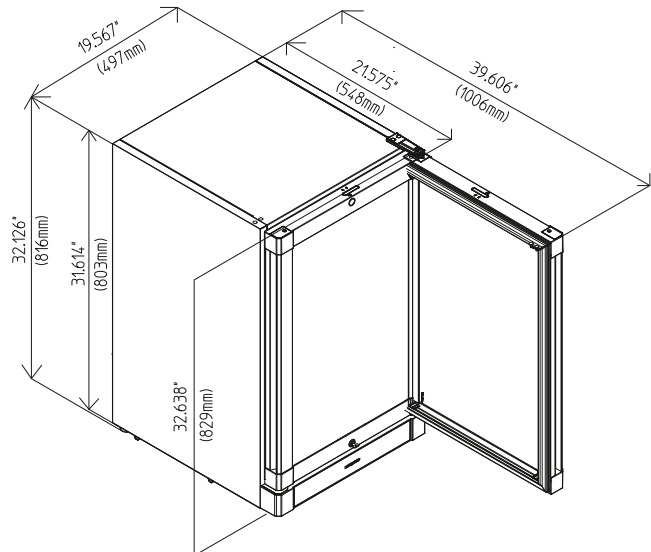


home.liebherr.com



Fv 913	
Total gross/net capacity l (cu.ft.)	3.3 / 2.3 (93 / 66)
Exterior dimensions in inches (w/d/h) in mm (w/d/h)	19 5/8" / 22" / 32 3/16" 497 / 558 / 816
Interior dimensions in inches (w/d/h) in mm (w/d/h)	16 7/16" / 15 7/16" / 24 1/16" 417 / 391 / 611
Energy Consumption in 365 days*	909 kWh
Ambient temperature in °C (°F)	50°F to 86°F (10°C to 30°C)
Refrigerant	R290
Sound rating**	60 dB(A)
Connection rating	2.0 A/210 W
Frequency/voltage	60 Hz/115V~
Cooling system/Defrost	Forced-air/automatic
Temperature range in °C (°F)	14°F to -13°F (-10 °C to -25 °C)
External cabinet finish	Steel / silver
Door material	Glass door
Internal liner material	Steel
Type of control / Temperature display	Electronic control/external digital
Interior Light	LED light column on right
Alarm	Visual and audible
Adjustable shelves	4
Shelf material	Wire shelves plastic -coated
Loading Ice Cream pint containers	54
Loading capacity 0.33L can	-
Shelf load weight in lbs (kg)	66.1 (30)
Handle	Recessed grip
Lock	Recessed
Self-closing door	Yes
Door hinges	Right, reversible on site
Insulation in inches (mm)	2 3/8" (60)
Gross/ net weight in lbs (kg)	107.8 / 102.3 (48.9 / 46.4)

## Unit Dimensions



## Accessories

Scannerrails	7444051
Stacking kit left	9875033
Stacking kit right	9875035

\* Measured unloaded at 26.6°C (80°F) ambient temperature with set point of 3.3°C (38°F).

\*\* Noise level – sound power re 1pW – according to IEC 60704-2-14.

# LIEBHERR