



# FOODSERVICE

CATALOG



# TOP REASONS TO CHOOSE T&S BRASS

## 24-HOUR QUICK SHIP

Place your order before noon for same day processing and expedited shipping. You never have to worry about downtime or finding room for inventory. We make sure your order arrives when you need it.

## WORLD-CLASS CUSTOMER SERVICE

A T&S trademark – our highly trained, friendly and knowledgeable staff answers your calls without delay. Existing customers can also access T&S through E-Store, our online ordering portal that provides convenience with ordering, tracking shipments and more. Register today at <http://register.tsbrass.com>

## CUSTOM ENGINEERING AND MODIFICATIONS

Our engineers have the technical expertise and qualifications to design and build to your specific requirements. When needed, we can customize your order, so with confidence we say, "We can make it like you want it and get it to you when you need it."

## INTERCHANGEABILITY

For more than 75 years, our products have been manufactured to work together – handles, spouts, inlets, aerators and accessories. Our interchangeable philosophy gives you exceptional flexibility and performance efficiencies that are unsurpassed. Our standardized parts allow you to carry less inventory.

## ENERGY AND WATER CONSERVING DESIGN

T&S understands how vital water conservation is today. We lead the way in the foodservice and plumbing industries with our extensive line of water- and energy-saving products that meet and exceed conservation requirements while not compromising performance.

## EAST AND WEST COAST WAREHOUSES

Our warehouses are located on both coasts so we can serve you better and faster. Customer service representatives are available to take your calls between 8:00 a.m. EST and 5:00 p.m. PST.

## QUALITY AND INNOVATION

Founded on a commitment to quality and innovation, T&S Brass introduced the industry's first pre-rinse unit. Ever since that time we have set the standard for new products designed to keep up with evolving applications while cutting installation time. Our heavy-duty brass castings and cartridges have proven themselves as long-term fixture in many commercial applications. And we're a leader on product safety.

## EXTENSIVE PRODUCT LINE

We offer an extensive range of products for practically every industry – from plumbing and foodservice to laboratory, institutional, medical and even the pet market. You'll find T&S in restaurants, hospitals, schools and hotels around the world. Whatever your application needs, we've got you covered or we'll work with you to create the best possible solution.

## RIGOROUS TESTING

At T&S, we test every single product we manufacture. Reliability Built In™ means nothing gets past us, and you'll never have to worry about product performance.

## FAMILY OWNED AND OPERATED

Founded in 1947, T&S is a family owned and operated business committed to quality, innovation and the highest service to our customers. We manufacture products to solve real world problems and services designed to make your life simpler.

## CODES AND COMPLIANCES

T&S products are manufactured to the highest standards in the industry, and are certified by a wide variety of national and international organizations, such as ISO, CSA, UL, NSF, IAPMO, ASSE and the list goes

on. We are committed to the safety and reliability of each fixture we make. When specific issues arise such as safe drinking water concerns\* or water pressure limitations, you can trust us for solutions and products that are up to code.

\*T&S products are ANSI/NSF Standard 61, Section 9 certified.





**TABLE OF CONTENTS**

UltraRinse™ ..... 2

LakeCrest™ ..... 4

WaveCrest™ ..... 6

EverSteel™ ..... 10

Pre-Rinse Units ..... 16

Pre-Rinse Unit Accessories ..... 18

Spray Assemblies ..... 20

Pot Fillers ..... 21

Pantry Faucets ..... 22

Service Sink Faucets ..... 22

Workboard Faucets ..... 24

Glass Fillers ..... 26

Other Foodservice Products ..... 27

Hand Sinks ..... 28

Hose Reel Systems ..... 30

ChekPoint™ Faucets ..... 34

Safe·T·Link™ Gas Hoses and Accessories ..... 36

equip Line ..... 42



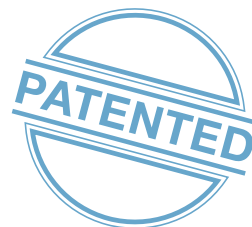
**LOOKING FOR MORE INFORMATION?**

Scan the QR Codes to access specific product categories or contact Customer Service via website chat, text, phone and email:

customerservice@tsbrass.com | tsbrass.com  
864-834-4102 | 800-476-4103

Increase food safety and reduce waste with

# ULTRARINSE™



## TWO LENGTHS AVAILABLE

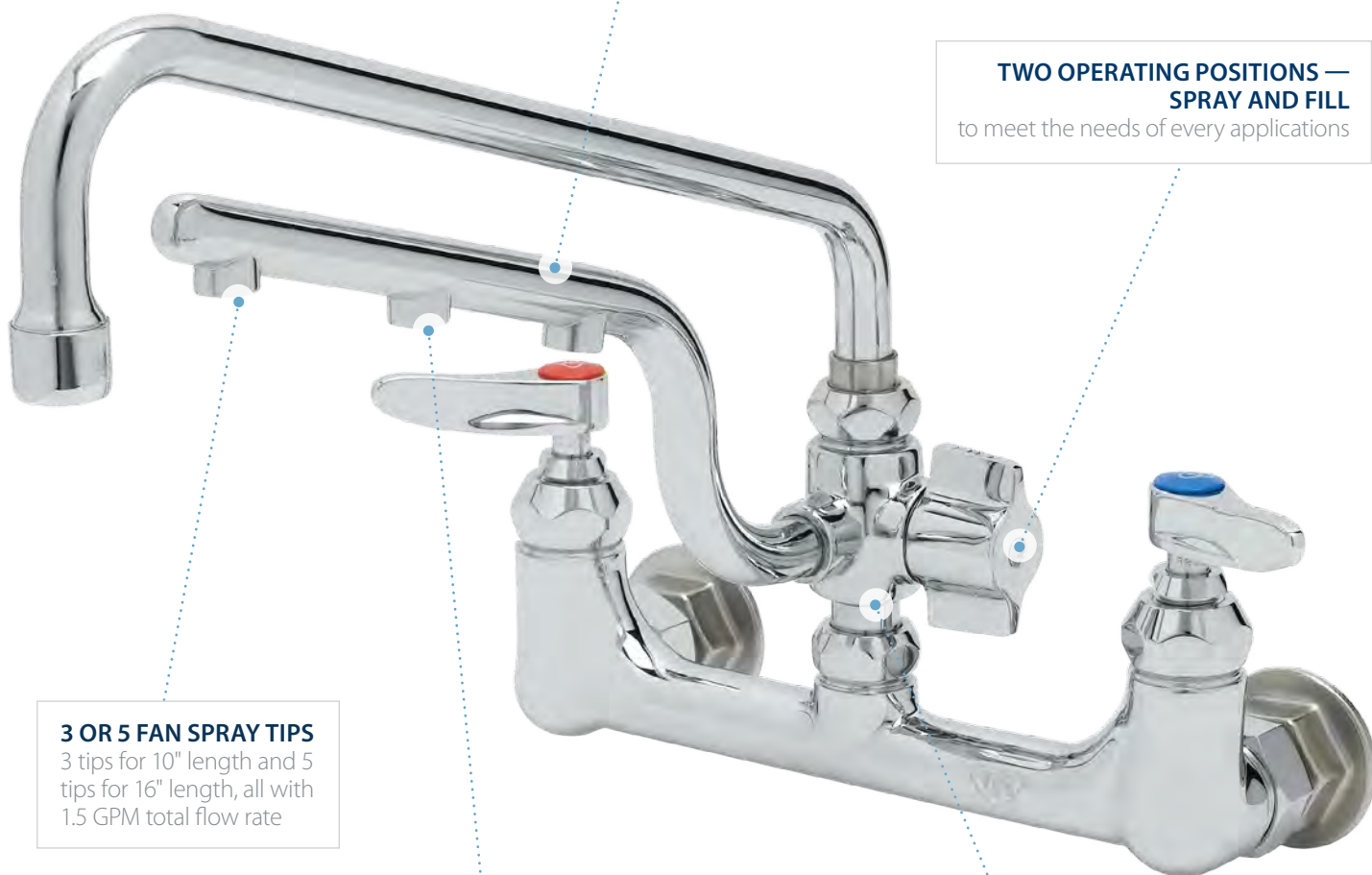
10" length for use with 12" nozzle  
and 16" length for use with 18" nozzle

### Retrofit Kits Available:

U12-KIT (10") & U18-KIT (16")

## TWO OPERATING POSITIONS — SPRAY AND FILL

to meet the needs of every applications



## 3 OR 5 FAN SPRAY TIPS

3 tips for 10" length and 5  
tips for 16" length, all with  
1.5 GPM total flow rate

## ANGLED FAN SPRAY TIPS

to maximize surface area  
contact and clean and rinse  
more quickly

## EASILY RETROFITS

with T&S manual faucets and  
pre-rinse units (requires swivel  
outlet body)



# ULTRARINSE™



**B-0230-U18**

- 8" wall mount mixing faucet
- 1.5 GPM 16" ULTRARINSE multiple tip spray arm
- 18" swing nozzle
- Lock washer provided for rigid application
- Adjustable centers from 7 3/4" to 8 1/4"
- Quarter-turn compression cartridges with spring checks
- 1/2" NPT female eccentric inlets with 2" flanges
- **Installation Kit Available: B-0230-KIT**

**B-0230-U18-CR**

- Same as B-0230-U18 but with ceramic cartridges with check valves
- **Installation Kit Available: B-0230-KIT**

**B-0231-U12**

- Same as B-0230-U18 but 10" ULTRARINSE multiple tip spray arm and 12" swing nozzle
- **Installation Kit Available: B-0230-KIT**

**B-0231-U12-CR**

- Same as B-0231-U12 but with ceramic cartridges with check valves
- **Installation Kit Available: B-0230-KIT**



**B-0113-U12-B**

- Single hole deck mount pre-rinse unit with mixing faucet
- 1.5 GPM 10" ULTRARINSE multiple tip spray arm
- 12" swing nozzle
- 24" rigid riser
- 44" flexible stainless steel hose with heat resistant gray handle and hold down ring
- 6" adjustable wall bracket
- Adjustable centers from 7 3/4" to 8 1/4"
- Quarter-turn compression cartridges with spring checks
- 18" flexible stainless steel supply hoses with 1/2" NPSM / 5/8" compression connections

**B-0113-U12-CR-B**

- Same as B-0113-U12-B but with ceramic cartridges with check valves



**B-0133-U12-B**

- 8" wall mount pre-rinse unit with mixing faucet
- 1.5 GPM 10" ULTRARINSE multiple tip spray arm
- 12" swing nozzle
- 18" rigid riser
- 44" flexible stainless steel hose with heat resistant gray handle and hold down ring
- 6" adjustable wall bracket
- Adjustable centers from 7 3/4" to 8 1/4"
- Quarter-turn compression cartridges with spring checks
- 18" flexible stainless steel supply hoses with 1/2" NPSM / 5/8" compression connections
- **Installation Kit Available: B-0230-KIT**

**B-0133-U12-CR-B**

- Same as B-0133-U12-B but with ceramic cartridges with check valves
- **Installation Kit Available: B-0230-KIT**

Designer aesthetic faucets with commercial durability

# LAKECREST™

BY T&S



**5 SINGLE-LEVER MODELS:**  
For manual faucets

**PROFESSIONAL-GRADE MATERIALS:**  
Make a first-class impression

**CERAMIC CARTRIDGES:**  
Two-year Warranty

**0.5 GPM NON-AERATED SPRAY DEVICE**

**METERING OPTION:**  
With 10 – 30 second adjustable cycle



**MULTIPLE DECK-MOUNT OPTIONS:**

- 8" concealed widespread
- 4" centerset
- Single hole

**SELECT LAKECREST MODELS ARE AVAILABLE IN THESE FINISHES TO OPTIMIZE YOUR DESIGN:**



Polished Chrome



Brushed Nickel (-BN)



Matte Black (-MB)



LAKECREST™  
BY T&S



**BP-0723**

- Single hole, single temperature deck-mount faucet with polished chrome finish
- Vandal resistant 0.5 GPM concealed non-aerated spray device (B-0199-M21-V05)
- Metering cartridge adjustable from 10 to 30 seconds
- Push button cap
- 1/2" NPSM male inlet
- 24" flexible stainless steel supply hose with 3/8" compression connection inlet
- Can be paired with T&S universal chrome plated deckplate



**BP-0723-4DP**

- Same as BP-0723 but with 6" deck plate designed to be used with 4" hole centers



**BP-2704**

- Deck mount single lever faucet with polished chrome finish
- Vandal resistant 0.5 GPM concealed non-aerated spray device (B-0199-M21-V05)
- Ceramic cartridge
- 19" flexible stainless steel supply hose with 3/8" O.D. compression connection



**BP-2704-BN**

- Same as BP-2704 but with brushed nickel finish



**BP-2704-MB**

- Same as BP-2704 but with matte black finish



**BP-2712**

- 4" centerset deck mount single lever faucet with polished chrome finish
- Vandal resistant 0.5 GPM concealed non-aerated spray device (B-0199-M21-V05)
- Ceramic cartridge
- 19" flexible stainless steel supply hose with 3/8" O.D. compression connection



**BP-2712-BN**

- Same as BP-2712 but with brushed nickel finish



**BP-2712-MB**

- Same as BP-2712 but with matte black finish



**BP-2995**

- 8" EasyInstall concealed widespread faucet with polished chrome finish
- Vandal resistant 0.5 GPM concealed non-aerated spray device (B-0199-M21-V05)
- Quarter-turn ceramic cartridges with check valves
- Widespread lever handles with hot and cold index rings
- 1/2" NPSM male inlet
- 24" flexible stainless steel supply hose with 3/8" O.D. compression connection

# Hands-free designer sensor faucets

## WAVECREST™

BY T&S



### HIDDEN SENSOR:

Allows efficient operation and streamlines profile

### 0.5 GPM NON-AERATED SPRAY DEVICE:

Designed to conserve water

### PERFECT FOR DESIGNER APPLICATIONS:

Complements sophisticated designs

### STANDARD OR MEDICAL HEIGHT:

Fits a wide range of applications

### BELOW-DECK ELECTRONICS:

Protects parts and create a streamlined aesthetic

### MATCHING SOAP DISPENSERS:

Some models are available with matching soap dispensers

EVERY WAVECREST MODEL IS AVAILABLE WITH A HYDROGENETRATOR POWER SOURCE (-HG)

EVERY WAVECREST MODEL IS AVAILABLE IN THESE FINISHES TO OPTIMIZE YOUR DESIGN:



Polished Chrome



Brushed Nickel (-BN)



Matte Black (-MB)



WAVECREST™

BY T&S



- **ECW-3150**
  - Single hole deck mount electronic faucet with gooseneck spout with polished chrome finish
  - AC/DC control module with internal flow control setting switches
  - 0.5 GPM vandal resistant non-aerated spray device (B-0199-M16-V05)
  - Temperature control mixing valve with integral check valves
  - (2) 18" 3/8" compression x 1/2" NPSM flexible stainless steel supply hoses

- **ECW-3150-BN**
  - Same as ECW-3150 but with brushed nickel finish

- **ECW-3150-MB**
  - Same as ECW-3150 but with matte black finish



- **ECW-3152**
  - Single hole deck mount electronic faucet with cast spout and polished chrome finish
  - AC/DC control module with internal flow control setting switches
  - 0.5 GPM vandal resistant non-aerated spray device (B-0199-M21-V05)
  - Temperature control mixing valve with integral check valves
  - (2) 18" 3/8" compression x 1/2" NPSM flexible stainless steel supply hoses

- **ECW-3152-BN**
  - Same as ECW-3152 but with brushed nickel finish

- **ECW-3152-MB**
  - Same as ECW-3152 but with matte black finish



- **ECW-3153**
  - Single hole 4" deck mount electronic faucet with cast spout and polished chrome finish
  - AC/DC control module with internal flow control setting switches
  - 0.5 GPM vandal resistant non-aerated spray device (B-0199-M21-V05)
  - Temperature control mixing valve with integral check valves
  - (2) 18" 3/8" compression x 1/2" NPSM flexible stainless steel supply hoses

- **ECW-3153-BN**
  - Same as ECW-3153 but with brushed nickel finish

- **ECW-3153-MB**
  - Same as ECW-3153 but with matte black finish



- **ECW-3158**
  - Single hole deck mount electronic faucet with compact cast spout with polished chrome finish
  - AC/DC control module with internal flow control
  - 0.5 GPM vandal resistant non-aerated spray device (B-0199-M16-V05)
  - Temperature control mixing valve with integral check valves
  - (2) 18" 3/8" compression x 1/2" NPSM flexible stainless steel supply hoses

- **ECW-3158-BN**
  - Same as ECW-3158 but with brushed nickel finish

- **ECW-3158-MB**
  - Same as ECW-3158 but with matte black finish



- **ECW-3162**
  - Single hole deck mount electronic faucet with cast spout with polished chrome finish
  - AC/DC control module with internal flow control setting switches
  - 0.5 GPM vandal resistant non-aerated spray device (B-0199-M21-V05)
  - 6-5/16" (161 mm) overall height
  - Temperature control mixing valve with integral check valves
  - (2) 18" 3/8" compression x 1/2" NPSM flexible stainless steel supply hoses

- **ECW-3162-BN**
  - Same as ECW-3162 but with brushed nickel finish

- **ECW-3162-MB**
  - Same as ECW-3162 but with matte black finish



- **ECW-3163**
  - Single hole 4" deck mount electronic faucet with cast spout with polished chrome finish
  - AC/DC control module with internal flow control setting switches
  - 0.5 GPM vandal resistant non-aerated spray device (B-0199-M21-V05)
  - 6-5/16" (161 mm) overall height
  - Temperature control mixing valve with integral check valves
  - (2) 18" 3/8" compression x 1/2" NPSM flexible stainless steel supply hoses

- **ECW-3163-BN**
  - Same as ECW-3163 but with brushed nickel finish

- **ECW-3163-MB**
  - Same as ECW-3163 but with matte black finish



- **ECW-3172**
  - Single hole 4" deck mount electronic faucet with cast spout with polished chrome finish
  - 0.5 GPM vandal resistant non-aerated spray device (B-0199-M21-V05)
  - AC/DC control module with internal flow control setting switches
  - Temperature control mixing valve with integral check valves
  - (2) 18" 3/8" compression x 1/2" NPSM flexible stainless steel supply hoses

- **ECW-3172-BN**
  - Same as ECW-3172 but with brushed nickel finish

- **ECW-3172-MB**
  - Same as ECW-3172 but with matte black finish

*introducing*  
Hands-free designer sensor soap dispensers



● **ECW-3152-FS**

- Electronic foam soap dispenser
- Polished chrome spout
- Top fill funnel beneath rotating lid with latching mechanism
- Uses commercially available foam hand soap
- 100-240 VAC adapter
- 34oz (1L) capacity
- Three year limited warranty

● **ECW-3152-LS**

- Same as ECW-3152-FS but for liquid hand soap



# EVERSTEEL™



**NEW SINGLE LEVER DESIGN  
AVAILABLE IN:  
STANDARD PRE-RINSE UNITS  
LOW PROFILE UNITS**

**PROVEN T&S DESIGN**  
EverSteel uses time-tested  
T&S designs to provide  
long-lasting reliability

**EASY TO CLEAN**  
Stainless steel resists staining  
and water spots

**LEAD-FREE**  
Stainless-steel construction  
is completely lead-free for  
worry-free performance

**S-0107-Y SPRAY VALVE**  
This design boasts more cleaning power and  
the highest durability on the market. The lack  
of a center screw prevents overtightening and  
there are fewer replaceable parts.

**BRUSHED SATIN FINISH**

**ADD-ON FAUCETS**  
Models available with and without

**GLOBAL CERTIFICATIONS**  
Designed to meet all global  
certification requirements.

**TRUE STAINLESS STEEL**  
Heavy-duty construction with stainless steel  
provides commercial-duty durability

**QUARTER-TURN CARTRIDGES**  
With built-in cross-flow prevention



# EVERSTEEL™



**S-0113-BY**

- Single hole deck mount mixing faucet with stainless steel body
- 44" flexible stainless steel hose with heat resistant blue handle and hold down ring
- 1.15 GPM new style spray valve (S-0107-Y)
- (2) 18" flexible supply hoses with G1/2" female swivel connections (compatible with 1/2" NPSM threads)
- Stainless steel 6" adjustable wall bracket
- Quarter-turn compression cartridges with spring checks

**S-0113-CR-BY**

- Same as S-0113-BY but with ceramic cartridges



**S-0133-A12-BY**

- 8" wall mount mixing faucet with stainless steel body
- 44" flexible stainless steel hose with heat resistant blue handle and hold down ring
- 1.15 GPM new style spray valve (S-0107-Y)
- Add-on faucet with 12" swing nozzle with stream regulator outlet
- Stainless steel 6" adjustable wall bracket
- Quarter-turn compression cartridges with spring checks
- **Installation Kit Available: S-0230-KIT**

**S-0133-A12-CR-BY**

- Same as S-0133-A12-BY but with ceramic cartridges
- **Installation Kit Available: S-0230-KIT**



**SMPF-2DLN-06**

- Single hole deck mount mixing faucet with stainless steel body
- 24" flexible stainless steel hose with heat resistant blue handle and hold down ring
- 1.15 GPM new style spray valve (S-0107-Y)
- (2) 18" flexible stainless steel supply hoses with G1/2" female swivel connections (Compatible with 1/2" NPSM Threads)
- Stainless steel 6" adjustable wall bracket
- Add-on faucet with 6" swing nozzle with stream regulator outlet
- Quarter-turn compression cartridges with spring checks

**SMPF-2DLN-06-CR**

- Same as SMPF-2DLN-06 but with ceramic cartridge



**S-0231**

- 8" wall mount mixing faucet with stainless steel body
- 12" swing nozzle with stream regulator outlet
- 1/2" NPT female eccentric inlets with 2" flanges
- Quarter-turn compression cartridges with spring checks
- **Installation Kit Available: S-0230-KIT**

**S-0231-CR**

- Same as S-0231 but with ceramic cartridges
- **Installation Kit Available: S-0230-KIT**



**S-0300**

- Single hole deck mount mixing faucet with stainless steel body
- 5 3/4" stainless steel swivel gooseneck
- (2) 18" flexible stainless steel supply hoses with G1/2" female swivel connections (Compatible with 1/2" NPSM Threads)
- Lock washer provided for rigid application
- Quarter-turn compression cartridges with spring checks

**S-0300**

- Same as S-0300 but with ceramic cartridges



**S-1110**

- 4" deck mount mixing faucet with stainless steel body
- 6" stainless steel swing nozzle
- 1/2" NPT stainless steel male inlets
- 2.2 GPM stainless steel aerator
- Quarter-turn compression cartridges with spring checks

• **Installation Kit Available: S-1100-KIT**

**S-1110-CR**

- Same as S-1110 but with ceramic cartridges
- **Installation Kit Available: S-1100-KIT**



**S-1141-04**

- 4" deck mount mixing faucet with stainless steel body
- 5 3/4" stainless steel swivel gooseneck
- 1/2" NPT stainless steel male inlets
- 2.2 GPM stainless steel aerator
- Quarter-turn compression cartridges with spring checks

• **Installation Kit Available: S-1100-KIT**

**S-1141-04-CR**

- Same as S-1141-04 but with ceramic cartridges
- **Installation Kit Available: S-1100-KIT**



**S-0113-U12-B**

- Single hole deck mount mixing faucet with stainless steel body
- 44" flexible stainless steel hose with heat resistant blue handle and hold down ring
- 1.15 GPM new style spray valve (S-0107-Y)
- (2) 18" flexible stainless steel supply hoses with G1/2" female swivel connections (Compatible with 1/2" NPSM Threads)
- Stainless steel 6" adjustable wall bracket
- Add-on 12" swing nozzle with stream regulator outlet
- ULTRARINSE™ 1.5 GPM 10 7/16" multiple tip swivel spray arm
- Quarter-turn compression cartridges with spring checks

**S-0113-U12-CR-B**

- Same as S-0113-U12-B but with ceramic cartridges



**S-0133-U12-B**

- 8" wall mount mixing faucet with stainless steel body
- 44" flexible stainless steel hose with heat resistant blue handle and hold down ring
- 1.15 GPM new style spray valve (S-0107-Y)
- Stainless steel 6" adjustable wall bracket
- Add-on faucet 12" nozzle
- Includes 10" UltraRinse™ multi tip spray arm
- Quarter-turn compression cartridges with spring checks

**S-0133-U12-CR-B**

- Same as S-0133-U12-B but with ceramic cartridges



**S-0200-U18**

- Single hole deck mount mixing faucet with stainless steel body
- 44" flexible stainless steel hose with heat resistant blue handle and hold down ring
- 1.15 GPM new style spray valve (S-0107-Y)
- (2) 18" flexible stainless steel supply hoses with G1/2" female swivel connections (Compatible with 1/2" NPSM Threads)
- Stainless steel 6" adjustable wall bracket
- 18" swing nozzle with stream regulator outlet
- Includes 16" UltraRinse™ multi tip spray arm
- Quarter-turn compression cartridges with spring checks

**S-0200-U18-CR**

- Same as S-0200-U18 but with ceramic cartridges



**S-0201-U12**

- Single hole deck mount mixing faucet with stainless steel body
- (2) 18" flexible stainless steel supply hoses with G1/2" female swivel connections (Compatible with 1/2" NPSM Threads)
- 12" swing nozzle with stream regulator outlet
- Includes 10" UltraRinse™ multi tip spray arm
- Quarter-turn compression cartridges with spring checks



**S-0230-U18**

- 8" wall mount mixing faucet with stainless steel body
- 18" swing nozzle with stream regulator outlet
- Includes 10" UltraRinse™ multi tip spray arm
- 1/2" NPT female eccentric inlets with 2" flanges
- Quarter-turn compression cartridges with spring checks

**S-0230-U18-CR**

- Same as S-0230-U18 but with ceramic cartridge



**S-0231-U12**

- 8" wall mount mixing faucet with stainless steel body
- 12" swing nozzle with stream regulator outlet
- Includes 10" UltraRinse™ multi tip spray arm
- 1/2" NPT female eccentric inlets with Ø 2" flanges
- Adjustable centers from 7 3/4" to 8 1/4"
- Quarter-turn compression cartridges with spring checks

**S-0231-U12-CR**

- Same as S-0231-U12 but with ceramic cartridge



**S-U12-KIT**

- ULTRARINSE™ 10" 1.5 GPM multiple tip swivel spray arm
- Switches between spray arm and swing nozzle
- For use with any stainless steel swivel T&S outlet faucet or stainless steel swing nozzle



**S-U18-KIT**

- ULTRARINSE™ 18" 1.5 GPM multiple tip spray arm
- Switches between spray arm and swing nozzle
- For use with any stainless steel swivel T&S outlet faucet or stainless steel swing nozzle



**S-2780-A12-BY**

- Single hole deck mount single lever mixing faucet with stainless steel body
- 44" flexible stainless steel hose with heat resistant blue handle and hold down ring
- 1.15 GPM new style spray valve (S-0107-Y)
- Add-on 12" swing nozzle with stream regulator outlet
- (2) 18" flexible stainless steel supply hoses with G1/2" female swivel connections (Compatible with 1/2" NPSM Threads)
- Stainless steel 6" adjustable wall bracket
- Ceramic cartridge

**S-2780-A12-B**

- Same as S-2780-A12-BY but with 1.15 GPM low flow spray valve (S-0107)



**SMPY-2LSN-00**

- Single hole deck mount single lever mixing faucet with stainless steel body
- 24" flexible stainless steel hose with heat resistant blue handle and hold down ring
- 0.65 GPM new style spray valve (S-0107-C)
- (2) 18" flexible stainless steel supply hoses with G1/2" female swivel connections (Compatible with 1/2" NPSM Threads)
- Stainless steel 6" adjustable wall bracket
- Ceramic cartridge

**SMPY-2LSN-06**

- Same as SMPY-2LSN-00 but with 6" swing nozzle with stream regulator outlet



**S-2785-S060X**

- Single hole deck mount single lever mixing faucet with stainless steel body
- 8" swing nozzle with stream regulator outlet
- (2) 18" flexible stainless steel supply hoses with G1/2" female swivel connections (Compatible with 1/2" NPSM Threads)
- Ceramic cartridge

**S-2785-S133X**

- Same as S-2785-S060X but with 5 3/4" swivel/rigid gooseneck



**S-1200**

- Wall mount glass filler
- Adjustable 2" flange
- Stainless steel push back arm
- Instantaneous shut-off
- Torx wrench adjustable flow outlet (wrench included)



**S-1200**

- Wall mount glass filler
- 3/8" NPT male inlet less wall flange
- Stainless steel push back arm
- Instantaneous shut-off
- Torx wrench adjustable flow outlet (wrench included)



**S-1210**

- 8" deck mount glass filler
- Pedestal with adjustable 2" flange
- Stainless steel push back arm
- Instantaneous shut-off
- Torx wrench adjustable flow outlet (wrench included)



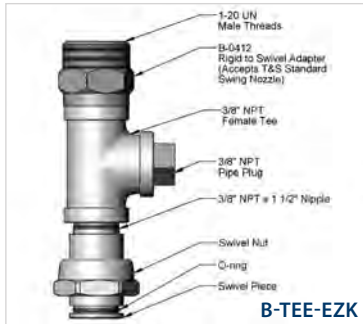
**S-1230**

- 8" deck mount glass filler
- 18 gauge drip pan with drop-in grid and 1 1/4" drain
- 1/2" NPT male inlet
- Pedestal with adjustable 2" flange
- Stainless steel push back arm
- Instantaneous shut-off
- Torx wrench adjustable flow outlet (wrench included)



# What to expect from legendary T&S PRE-RINSE UNITS

**SPECIALLY DESIGNED  
SPRING REINFORCEMENT**  
protects hose from wear.



**OPTIONAL INSTALLATION TEE**  
provides additional water source.

**OPTIONAL: MULTIPLE LENGTH  
WALL BRACKETS AVAILABLE**  
designed with ability to be cut in  
the field to desired length.

**50% THICKER NOZZLE AND RISER  
THICKNESS VS. COMPETITORS**  
for ultimate durability.

**MODELS WITH AND  
WITHOUT ADD-ON  
FAUCETS AVAILABLE.**

## ¼-TURN CARTRIDGES WITH CROSS-FLOW PREVENTION

¼ turn design with two cartridge options to best suit your water conditions: Eterna compression (perfect for areas with harsh water conditions), or Cerama ceramic cartridges (featuring a lifetime warranty).

**STAINLESS STEEL  
HOSES WITH DOUBLE  
INTERLOCKED BRAIDS  
AND REINFORCED  
POLYURETHANE  
INNER TUBING**  
for long life.  
Pressure rated to 125 psi.

**OPTIONAL: 360-DEGREE  
ROTATION OF SPRAY VALVE  
WITH ADD-ON SWIVEL**  
reduces employee strain and  
extends hose life.

**INSULATED HANDLE**  
provides a cool grip.

**RANGE OF SPRAY VALVE  
OPTIONS AVAILABLE**  
from 0.65 GPM to 1.15 GPM for top  
performance and water conservation. Meet  
DOE regulations. Tested to over 1.5 million  
cycles.

**PREASSEMBLED PARTS**  
reduce installation time.

**INTERLOCKING SPLINES  
PREVENT WALKING**  
by keeping the handles in  
the original set position.

**ECCENTRIC FLANGES**  
allow for alignment and easy installation in the field.





**B-0113-ADF12-B**

- Single hole deck mount mixing faucet
- 12" add-on faucet
- 1.15 GPM spray valve (B-0107)
- 44" flexible stainless steel hose with heat resistant gray handle and hold down ring
- 6" adjustable wall bracket
- Quarter-turn compression cartridges with spring checks
- 18" flexible stainless steel supply hoses with 1/2" NPSM / 5/8" compression connections

**B-0113-B**

- Same as B-0113-ADF12-B but without add-on faucet
- **Master Pack Available: B-0113-BM (6)**



**B-0123-ADF12-B**

- 8" deck mount mixing faucet with adjustable centers
- 12" add-on faucet
- 1.15 GPM spray valve (B-0107)
- 44" flexible stainless steel hose with heat resistant gray handle and hold down ring
- 6" adjustable wall bracket
- Quarter-turn compression cartridges with spring checks
- 1/2" NPT female eccentric inlets with 2" flanges
- **Installation Kit Available: B-0425-KIT**

**B-0123-B**

- Same as B-0123-ADF12-B but without add-on faucet
- **Installation Kit Available: B-0425-KIT**
- **Master Pack Available: B-0123-BM (6)**



**B-0133-12CRB8TP**

- 8" wall mount mixing faucet
- 12" add-on faucet
- 1.07 GPM low flow spray valve
- 6" adjustable wall bracket
- Quarter-turn ceramic cartridges with check valves
- 1/2" NPT female eccentric inlets with 2" flanges
- **Installation Kit Available: B-0230-KIT**

**DURAPULL**



**B-0133-ADF12-B**

- 8" wall mount mixing faucet
- 12" add-on faucet
- 1.15 GPM low flow spray valve (B-0107)
- 44" flexible stainless steel hose with heat resistant gray handle and hold down ring
- Adjustable centers from 7 3/4" to 8 1/4"
- 6" adjustable wall bracket
- Quarter-turn compression cartridges with spring checks
- 1/2" NPT female eccentric inlets with 2" flanges
- **Installation Kit Available: B-0230-KIT**
- **Master Pack Available: B-0133-ADF12-BM (6)**

**B-0133-B**

- Same as B-0133-ADF12-B but without add-on faucet
- **Installation Kit Available: B-230-KIT**
- **Master Pack Available: B-0133-BM (6)**



**MPZ-8WLN-06**

- 8" wall mount mixing faucet
- 6" add-on faucet
- 1.15 GPM low flow spray valve (B-0107)
- Lever handles with color coded indexes
- 24" flexible stainless steel hose with heat resistant gray handle and hold down ring
- 8" rigid riser
- Adjustable centers from 7 3/4" to 8 1/4"
- Quarter-turn compression cartridges with check valves
- **Installation Kit Available: B-0230-KIT**



**B-0100-SWV**

- 1.15 GPM spray valve (B-0107)
- 1/2" NPT male inlet fitting
- 44" flexible stainless steel hose with heat resistant gray handle and hold down ring
- Includes swivel (018200-40)

**B-0100**

- Same as B-0100-SWV but without swivel (018200-40)



**B-0107**

- 1.15 GPM spray valve
- 3/4-14 UN male inlet fitting
- Designed for heavy-duty use in industrial kitchens
- Hold down ring
- Shuts off when handle is released
- **Master Pack Available: B-0107-M12 (12)**



**B-0107-C**

- 0.65 GPM Low Flow spray nozzle
- 3/4-14 UN male inlet
- Designed for heavy-duty use in industrial kitchens
- High performance fan jet with knife action spray
- Hold down ring
- Shuts off when handle is released
- **Master Pack Available: B-0107-CM (12)**



**B-0107-J**

- 1.07 GPM spray nozzle
- 3/4-14 UN male inlet
- Designed for heavy-duty use in industrial kitchens
- High performance fan jet with knife action spray
- Hold down ring
- Shuts off when handle is released
- **Master Pack Available: B-0107-JM (12)**



**B-0108**

- 1.07 GPM JeTSpray spray valve
- 7/8-20 UN male inlet
- Designed for heavy-duty use in industrial kitchens
- Fast action trigger
- Heat insulated handle with crush resistant grip
- Removable screen filter
- Smart one-handed trigger lock
- **Master Pack Available: B-0108-M (12)**



**B-0044-H**

- 3/4-14 UN female inlet
- 3/4-14 UN female outlet
- 44" flexible stainless steel hose with heat resistant gray handle
- **Master Pack Available: B-0044-HML (25)**



**B-TEE-RGD**

- 3/8" NPT female outlet
- 3/8" NPT male inlet
- 3/8" hex L-key included
- 3/8" pipe plug



**B-TEE-EZK**

- 1-20 UN male threaded outlet
- Swivel tee assembly
- 3/8" pipe plug



**B-0230-K**

- Installation elbow kit
- (2) 1/2" NPT supply nipples with lock nuts and washers
- (2) Short elbows with 1/2" NPT male inlet and 1/2" NPT female outlet
- **Master Pack Available: B-0230-K-M12 (12)**



**B-0230-KIT**

- Installation inlet kit
- (2) 1/2" NPT supply nipples with lock nuts and washers
- (2) 24" flexible stainless steel supply hoses with 3/8" compression inlet and 1/2" NPSM outlet
- (2) Short elbows with 1/2" NPT male inlet and 1/2" NPT female outlet
- **Master Pack Available: B-0230-KIT-M12 (12)**



**018200-40**

- Pre-rinse hose and spray valve hex swivel
- 7/8-20 UN female outlet
- 7/8-20 UN male inlet
- Fits all T&S spray valve handles
- Replacement seals included



**B-0156**

- Add-on faucet with 12" swing nozzle
- 3" Nipple with 3/8" NPT male inlet
- 3/8" NPT female outlet
- Lever handle
- Quarter-turn compression cartridge with spring check



**B-0155-LNEZ**

- 3/8" NPT female outlet
- Add-on faucet with polished chrome plated brass body (less nozzle)
- EasyInstall quick installation inlet
- Lever handle
- Quarter-turn compression cartridge with spring check
- Swivel outlet accepts T&S swing nozzles



**011276-45**

- Ceramic cartridge
- RTC without bonnet
- Fits all T&S faucets

**011277-45**

- Same as 011276-45 but LTC

**T&S BRASS PLUMBING PRODUCTS SPRAY ASSEMBLIES**



**B-0175**

- 8" wall mount mixing faucet
- 12" EasyInstall add-on faucet
- 1.15 GPM low flow angled spray valve (B-0107-035)
- Lever handles with color coded indexes
- 104" flexible stainless steel hose with heat resistant gray handle and hold down ring
- Adjustable centers from 7 3/4" to 8 1/4"
- Hose hanger hook
- 90° swivel adapter arm
- Quarter-turn compression cartridges with spring checks
- **Installation Kit Available: B-0230-KIT**



**B-0178**

- 8" deck mount mixing faucet
- 12" EasyInstall add-on faucet
- 1.15 GPM low flow angled spray valve (B-0107)
- Lever handles with color coded indexes
- 20" flexible stainless steel hose with heat resistant gray handle and hold down ring
- Adjustable centers from 7 3/4" to 8 1/4"
- Hose hanger hook
- 90° swivel adapter arm
- Quarter-turn compression cartridges with spring checks
- **Installation Kit Available: B-0425-KIT**



**B-0102-A**

- 1/2" NPT male inlet
- 68" flexible stainless steel hose with heat resistant gray handle and hold down ring
- Automatic shut-off valve
- Hook nozzle



**B-0580**

- Wall mount pot filler
- 18" double joint swing nozzle
- 1/2" NPT female inlet with 2" wall flange
- On-off volume control outlet with insulated grip



**B-0592**

- Wall mount pot filler
- 18" double joint swing nozzle
- 1/2" NPT female inlet with 2" wall flange
- Four arm handle with blue index
- On-off volume control outlet with insulated grip
- Quarter-turn compression cartridge with spring checks



**BF-0592**

- Single hole wall mount Big-Flo faucet
- 18" double joint swing nozzle
- 3/4" NPT street elbow
- Four arm handle with blue index
- On-off volume control outlet with insulated grip
- Big-Flo cartridge



Pot fillers offer a combination of practicality, efficiency & safety.



**B-0207**

- Single hole, single temperature deck mount faucet
- 6" swing nozzle
- 1/2" NPSM female inlet
- Quarter-turn compression cartridges with spring checks
- **Master Pack Available: B-0207-M (6)**



**B-0221**

- 8" deck mount mixing faucet
- 12" swing nozzle
- 1/2" NPT female eccentric inlets with 2" flanges
- Quarter-turn compression cartridges with spring checks
- **Installation Kit Available: B-0425-KIT**
- **Master Pack Available: B-0221-M (6)**



**B-0230-LN**

- 8" wall mount mixing faucet
- Swivel outlet less nozzle
- Quarter-turn compression cartridges with spring checks
- **Installation Kit Available: B-0230-KIT**
- **Master Pack Available: B-0230-LNM (6)**

**B-0230-CR-LN**

- Same as B-0230-LN but with ceramic cartridges with check valves
- **Installation Kit Available: B-230-KIT**
- **Master Pack Available: B-0230-CR-LNM (6)**



**062X**

- 12" swing nozzle
- Fits all T&S swivel outlet faucets
- **Master Pack Available: 062XM (12)**

**061X**

- Same as 062X but 10" swing nozzle
- **Master Pack Available: 061XM (12)**

**060X**

- Same as 062X but 8" swing nozzle
- **Master Pack Available: 060XM (12)**



**B-0231**

- 8" wall mount mixing faucet
- 12" swing nozzle
- 1/2" NPT female eccentric inlets with 2" flanges
- Quarter-turn compression cartridges with spring checks
- **Installation Kit Available: B-0230-KIT**
- **Master Pack Available: B-0231-M (6)**

**B-0231-CR**

- Same as B-0231 but with ceramic cartridges with check valves
- **Installation Kit Available: B-230-KIT**
- **Master Pack Available: B-0231-CR-M (6)**



**B-0300**

- Single hole deck mount faucet
- 5 3/4 swivel/rigid gooseneck
- 18" flexible stainless steel supply hoses with 1/2" NPSM male inlet / 5/8" O.D. compression connections
- Quarter-turn compression cartridges with spring checks
- **Master Pack Available: B-0300-M (6)**



**B-0305**

- Single hole single temperature deck mount faucet
- 5 3/4 swivel/rigid gooseneck
- 1/2" NPSM male inlet
- Quarter-turn compression cartridges with spring checks
- Tailpiece and nut to provide 1/4" NPT male connection
- **Master Pack Available: B-0305-M (6)**



**B-0290**

- 8" wall mount Big-Flo mixing faucet
- 12" Big-Flo plain end swing nozzle
- 3/4" NPT female eccentric flanged inlets with 2" flanges
- 3/4" NPT female short inlet elbows
- Big-Flo compression spindles
- **Master Pack Available: B-0290-M (6)**



**B-0665-BSTR**

- 8" wall-mount mixing faucet
- Rough chrome plated finish
- Quarter-turn compression cartridges with spring checks
- Built-in service stops
- Vacuum breaker spout with 3/4" garden hose male thread and pail hook
- Upper wall support with mounting screws
- 1/2" NPT female eccentric flanged inlets (00AA)
- **Installation Kit Available: B-0230-KIT**
- **Master Pack Available: B-0665-BSTRM (6)**

**B-0665-CR-BSTR**

- Same as B-0665-BSTR but with ceramic cartridges with check valves
- **Installation Kit Available: B-0230-KIT**

**B-0665-BSTP**

- Same as B-0665-BSTR but with polished chrome finish
- **Installation Kit Available: B-0230-KIT**
- **Master Pack Available: B-0665-BSTPM (6)**

**T&S BRASS PLUMBING PRODUCTS WORKBOARD FAUCETS**



**B-1110**

- 4" deck mount mixing faucet
- 2.2 GPM aerator (B-0199-01)
- 6" swing nozzle
- Quarter-turn compression cartridges with spring checks
- 1/2" NPT inlets
- Tailpieces and nuts for 1/4" NPT male connections
- **Installation Kit Available: B-1100-KIT**
- **Master Pack Available: B-1110-M (6)**

**B-1110-CR**

- Same as B-1110 but with ceramic cartridges with check valves
- **Installation Kit Available: B-1100-KIT**



**B-1115**

- 4" wall mount mixing faucet
- 2.2 GPM aerator (B-0199-01)
- 6" swing nozzle
- Quarter-turn compression cartridges with check valves
- 1/2" NPT inlets
- **Installation Kit Available: B-1105-KIT**
- **Master Pack Available: B-1115-M (6)**

**B-1115-CR**

- Same as B-1115 but with ceramic cartridges with check valves
- **Installation Kit Available: B-1105-KIT**
- **Master Pack Available: B-1115-CR-M (6)**



**B-1123**

- 8" deck mount mixing faucet
- 2.2 GPM aerator (B-0199-01)
- 12" swing nozzle
- Quarter-turn compression cartridges with spring checks
- 1/2" NPT inlets
- Tailpieces and nuts for 1/4" NPT male connections
- **Installation Kit Available: B-1100-KIT**
- **Master Pack Available: B-1123-M (6)**

**B-1123-CR**

- Same as B-1123 but with ceramic cartridges with check valves
- **Installation Kit Available: B-1100-KIT**



**B-1141**

- 4" deck mount mixing faucet
- 2.2 GPM aerator (B-0199-01)
- 5 3/4" swivel gooseneck
- Quarter-turn compression cartridges with spring checks
- 1/2" NPT inlets
- Tailpieces and nuts for 1/4" NPT male connections
- **Installation Kit Available: B-1100-KIT**

**B-1141-CR**

- Same as B-1141 but with ceramic cartridges with check valves
- **Installation Kit Available: B-1100-KIT**



**B-1146-02A**

- 4" wall mount mixing faucet
- 2.2 GPM aerator (B-0199-01)
- 4 3/8" swivel gooseneck
- Quarter-turn compression cartridges with spring checks
- 1/2" NPT inlets
- Tailpieces and nuts for 1/4" NPT male connections
- **Installation Kit Available: B-1105-KIT**

**B-1146-02A-CR**

- Same as B-1146-02A but with ceramic cartridges with check valves
- **Installation Kit Available: B-1105-KIT**



**T&S Handsinks**  
 Maintaining  
 cleanliness and  
 preventing  
 cross-contamination



**B-1200**

- Wall mount glass filler
- 3/8" NPT female inlet with adjustable 2" flange
- Dark blue push back arm
- Instantaneous shut-off
- Torx wrench adjustable flow outlet (wrench included)
- **Master Pack Available: B-1200-M (12)**



**B-1210**

- 1/2" NPT male inlet
- 8" high deck mount glass filler
- Dark blue push back arm
- Instantaneous shut-off
- Pedestal with adjustable 2" flange
- Torx wrench adjustable flow outlet (wrench included)
- Best used with disposables and stemwear
- **Master Pack Available: B-1210-M (6)**



**B-1230**

- 8" high deck mount glass filler and deck mount water station
- 1/2" NPT male inlet
- Dark blue push back arm
- Instantaneous shut-off
- Pedestal with adjustable 2" flange
- Torx wrench adjustable flow outlet (wrench included)
- Drip pan with drop-in grid
- 1 1/4" drain



**EC-1210-08**

- ChekPoint 8" high single hole deck mount electronic sensor glass filler
- 1.5 GPM vandal resistant laminar device with anti-microbial coating
- 18" flexible stainless steel supply hose with 3/8" compression connection
- 5 3/8" high arc rigid nozzle
- Low battery LED indicator light
- Optional auto flush feature flows water for 30 seconds after every 12 inactive hours
- AC/DC control module (electric plug-in and battery)



**B-2282-01**

- Deck mount dipperwell faucet and bowl assembly
- 1/2" NPSM male inlet with 5/16" I.D. sweat fitting connection
- Polished chrome plated knob
- Available without bowl and variable flow rates
- **Repair Kit Available: B-2282-RK**
- **Master Pack Available: B-2282-01-M10 (10)**

**B-2282**

- Same as B-2282-01 but without bowl assembly



**B-3950**

- Rotary waste valve for 3 1/2" sink opening
- 2" NPT female x 1 1/2" NPT male adapter
- 2" NPT male outlet / 1 1/2" NPT female outlet
- 3 1/2" snap-in removable strainer
- Overflow outlet with cap & sealing washer
- Twist handle with heat resistant plastic grip
- **Master Pack Available: B-3950-M (13)**



**B-3970**

- Lever waste valve for 3 1/2" sink opening
- 2" NPT female x 1 1/2" NPT male adapter
- 2" NPT male outlet / 1 1/2" NPT female outlet
- 3 1/2" snap-in removable strainer
- Overflow outlet with cap & sealing washer
- Twist handle with heat resistant plastic grip
- **Master Pack Available: B-3970-M (13)**



**B-3990**

- Modular push-pull waste valve for 3 1/2" sink opening with stainless steel body
- Adapter converts 2" NPT male to 1-1/2" NPT male
- 3 1/2" snap-in removable strainer
- Overflow outlet with cap & sealing washer
- Push-pull handle with handle guard to endure extreme abuse
- Handle extension kits available



**EW-7360B**

- Wall mount stainless steel eye and face wash
- 1/2" NPT inlet
- 1 1/4" NPT waste outlet
- Integral flip top dust cover
- Plastic eye wash head with laminar flow device



**EW-7656WC**

- Stainless steel recessed wall mounted eye and face wash
- 1/2" NPT inlet
- 2" NPT waste outlet
- 4.2 GPM flow control
- Polished chrome plated brass pull-down valve with strainer



# Engineered for reliability: HAND WASH SINK PACKAGES



14" X 10" SINK BASIN  
17" X 15" FULL SINK DIMENSIONS

AVAILABLE WITH 4" CENTER  
MANUAL OR SINGLE HOLE  
SENSOR-OPERATED FAUCETS



CHOOSE FROM BACKSPLASH  
ONLY OR BACKSPLASH WITH SIDE  
SPLASH SHIELDS

HYDRO-GENERATOR SENSOR  
FAUCET MODEL AVAILABLE

NSF CERTIFIED

INCLUDES WASTE DRAIN

20-GAUGE STAINLESS  
STEEL CONSTRUCTION



## HAND SINKS



**EC-3101-1W-S**

- 17" x 15" Hand Wash Sink with Side Splash Shields & 3-1/2" Drain Assembly
- Single hole sensor faucet with 4 1/16" rigid gooseneck with 2.2 GPM vandal resistant aerator (B-0199-06)
- Faucet includes two flexible stainless steel supply hoses with 3/8" compression connections



**EC-3101-1W**

- 17" x 15" Hand Wash Sink with 3-1/2" Drain Assembly
- Single hole sensor faucet with 4 1/16" rigid gooseneck with 2.2 GPM vandal resistant aerator (B-0199-06)
- Faucet includes two flexible stainless steel supply hoses with 3/8" compression connections



**B-1146-02A-4W-S**

- 17" x 15" Hand Wash Sink with Side Splash Shields & 3-1/2" Drain Assembly
- Manual faucet with 4 3/8" gooseneck with 2.2 GPM aerator (B-0199-01)
- Tailpieces and nuts for 1/4" NPT male connections
- Quarter-turn compression cartridge with spring checks



**B-1146-02A-4W**

- 17" x 15" Hand Wash Sink with 3-1/2" Drain Assembly
- Manual faucet with 4 3/8" gooseneck with 2.2 GPM aerator (B-0199-01)
- Tailpieces and nuts for 1/4" NPT male connections
- Quarter-turn compression cartridge with spring checks



**5F-4WLX03-4W-S**

- 17" x 15" Hand Wash Sink with Side Splash Shields & 3-1/2" Drain Assembly
- equip manual faucet with 3" swivel gooseneck with 2.2 GPM aerator (013838-45)
- 1/2" NPT male inlets
- Quarter-turn ceramic cartridges



**5F-4WLX03-4W**

- 17" x 15" Hand Wash Sink with 3-1/2" Drain Assembly
- equip manual faucet with 3" swivel gooseneck with 2.2 GPM aerator (013838-45)
- 1/2" NPT male inlets
- Quarter-turn ceramic cartridges

# Explore the sturdy, reliable T&S HOSE REEL SYSTEMS

## HOSE LENGTH AND DIAMETER CHOICES:

3/8" or 1/2" hose with lengths ranging from 15' to 50'

## ANTI-LOCKOUT RATCHET DESIGN:

Hose retracts freely even when fully extended

## DURABLE HOSE:

Nitrile tube with reinforced steel wire braid is more durable than typical rubber and prevents kinking

## HOSE SWIVEL:

Allows 360-degree rotation of outlet device to prevent strain on hose and user

## CHOICE OF CARTRIDGE:

Cerama ceramic cartridge or Eterna compression cartridge

## VARIETY OF BASE SYSTEMS:

Wall mount, deck mount, concealed base and cabinet bases available

## PROTECTED HOSE OUTLET:

Allows free movement and extends the life of the hose

## ADJUSTABLE STOP:

Prevents hose from retracting completely into reel and allows users to set length of accessible hose for easy reach

## MOUNTING BRACKET OPTIONS:

Wall mount swing brackets, pivot brackets for ceiling or tabletop, or table leg bracket

## STAINLESS STEEL OR EPOXY-COATED REEL

## OPEN OR CLOSED REEL OPTIONS:

Open reels allow easy cleaning of the hose. Closed reels keep the hose out of sight.

## 7 OUTLET DEVICE OPTIONS:

Spray valves, front or rear trigger water guns, or extended spray wand

## BRASS SWIVEL ON STAINLESS STEEL SHAFT:

Eliminates friction that can lead to welding and splitting



# T&S' SMART MODEL NUMBER SYSTEM MAKES IT EASY.

**B-7 2 3 2 - U 01 W S1 B E**

### REEL MATERIAL

1 = Stainless steel  
2 = Epoxy coated

### HOSE LENGTH

1 = 15 ft.  
2 = 30 ft. (closed models only)  
3 = 35 ft. (open models only)  
4 = 50 ft.

### DIAMETER

2 = 3/8"  
3 = 1/2" (stainless models only)

### REEL

C = Closed (3/8" only)  
U = Open

### OUTLET DEVICE

01 = EB-0107  
1M = B-0107  
1J = B-0107-J  
02 = MV-2516-24  
03 = MV-2516-34  
04 = MV-2516-44  
05 = MV-2522-24  
06 = MV-2522-34  
07 = MV-2522-44  
08 = B-0108-H  
8M = B-0108  
10 = EB-2322  
11 = MV-3516-24

### MOUNTING BRACKETS

P = Pivot/Ceiling Bracket (G016652-45)  
W = Wall Swing Bracket (G019430-45)  
T = Table Leg Bracket (G018477-45)  
X = No Bracket

### SYSTEM TYPE

S1 = 8" Wall Mount  
S2 = 8" Wall Mount with Additional Check Valves  
S3 = Concealed Base  
S4 = 8" Deck Mount  
S5 = Cabinet  
S6 = 8" Concealed Wall Mount with Loose Key Stops  
S7 = Cabinet Recessed Mount  
S8 = Cabinet Surface Mount  
S9 = Single Hole Deck Mount

### CARTRIDGE TYPE

E = Eterna  
C = Cerama (not available on the S3, S5 and S6 system)

### INLET TYPE

B = Bottom Inlet  
T = Top Inlet  
(available only on the S7 and S8 systems)

Which outlet device is required? Shower spray or heavy duty water gun? Front or rear trigger? How to choose?



**01** EB-0107  
• 5.6 GPM



**02** MV-2516-24  
• 5/16" Orifice  
**03** MV-2516-34  
• 7/16" Orifice  
**04** MV-2516-44  
• 9/16" Orifice



**8M** B-0108  
• 1.07 GPM



**1M** B-0107  
• 1.15 GPM



**05** MV-2522-24  
• 5/16" Orifice  
**06** MV-2522-34  
• 7/16" Orifice  
**07** MV-2522-44  
• 9/16" Orifice



**10** EB-2322  
• 4.2 GPM



**1J** B-0107-J  
• 1.07 GPM



**08** B-0108-H  
• 3.28 GPM



**11** MV-3516-24  
• 5/16" Orifice

Which system type is required? What sort of base suits your needs? How to choose?



**S1** 8" Wall Mount



**S4** 8" Deck Mount



**S7** Cabinet Recessed Mount



**S2** 8" Wall Mount with Additional Check Valves



**S5** Cabinet

**S8** Cabinet Surface Mount



**S3** Concealed Base



**S6** 8" Concealed Wall Mount with Loose Key Stops



**S9** Single Hole Deck Mount



**B-7122-C01**

- Enclosed stainless steel reel
- 3/8" x 30' (9m) heavy-duty blue hose
- EB-0107 high-flow blue spray valve
- Ratcheting retractable hose system
- 3/8" NPT female inlet
- Adjustable hose bumper
- Multi-fit bracket for wall, ceiling or under counter mounting



**B-7222-C01**

- Enclosed reel with epoxy coated steel finish
- 3/8" x 30' (9m) heavy-duty blue hose
- EB-0107 high-flow blue spray valve
- Ratcheting retractable hose system
- 3/8" NPT female inlet
- Adjustable hose bumper
- Multi-fit bracket for wall, ceiling or under counter mounting



**B-7132-01**

- Enclosed stainless steel reel
- 3/8" x 35' (10.7 m) heavy-duty blue hose
- EB-0107 high-flow blue spray valve
- Ratcheting retractable hose system
- 3/8" NPT female inlet
- Adjustable hose bumper
- Multi-fit bracket for wall, ceiling or under counter mounting



**B-7132-02**

- Enclosed stainless steel reel
- 3/8" x 35' (10.7 m) heavy-duty blue hose
- Stainless steel rear trigger water gun (MV-2516-24)
- Ratcheting retractable hose system
- 3/8" NPT female inlet
- Adjustable hose bumper
- Multi-fit bracket for wall, ceiling or under counter mounting



**B-7232-01**

- Open reel with epoxy coated steel finish
- 3/8" x 35' (10.7m) heavy-duty blue hose
- EB-0107 high-flow blue spray valve
- Ratcheting retractable hose system
- 3/8" NPT female inlet
- Adjustable hose bumper
- Multi-fit bracket for wall, ceiling or under counter mounting



**B-7102-01**

- Open stainless steel hose reel
- 3/8" x 12' heavy-duty non-marking hose rated to 300 PSI
- EB-0107 high-flow blue spray valve
- Ratcheting retractable hose system
- 3/8" NPT female inlet
- Adjustable hose bumper
- Multi-fit bracket for wall, ceiling or under counter mounting



**B-7212-01**

- Open epoxy coated steel hose reel
- 3/8" x 15' heavy-duty non-marking hose rated to 300 PSI
- EB-0107 high-flow blue spray valve
- Ratcheting retractable hose system
- 3/8" NPT female inlet
- Adjustable hose bumper
- Multi-fit bracket for wall, ceiling or under counter mounting



**B-7161-C**

- Under-counter mounted enclosed reel with stainless steel shroud
- 6' black hose rated to 300 PSI
- Self-closing, push button spray valve
- Quarter-turn ball valve shut-off
- 1/2" NPT male inlet



When it comes to efficient, effective cleaning with less risk and zero hassle, hose reels are an ideal washdown solution for a variety of settings.

Better built:  
**T&S CHEKPOINT SENSOR FAUCET  
(BELOW-DECK ELECTRONICS)**

**STAINLESS STEEL  
BRAIDED SUPPLY HOSES**

**ADJUSTABLE TEMPERATURE CONTROL MIXING  
VALVE OR AVAILABLE THERMOSTATIC MIXING VALVE**  
Both with integral check valves

**TWO HYDROGENERATOR  
POWER OPTIONS**

Low flow for 0.5-1.0 gpm or standard  
flow for 1.0 gpm or higher

**FILTERED INLET** with serviceable strainer  
filter that filters dirt and debris from water  
supply to protect solenoid valve

**WATER-RESISTANT  
CONTROL MODULE**

Protects critical electronics

**CHROME-PLATED BRASS**  
for durability

**VANDAL-RESISTANT AERATOR**

Prevents removal of aerator, which  
causes excessive water use

**POWER SUPPLY OPTIONS**

AC/DC power (with easywire/hardwire),  
4AA battery, optional hydrogenerator

**LOW BATTERY INDICATOR LIGHT**

**WALL- OR DECK-MOUNT OPTIONS AVAILABLE**

Models designed specifically for 4" center retrofitting  
do not require altering sink hole configuration

**BELOW-DECK ELECTRONICS (BDE)**

offer discrete installation of control box

**FORGED BRASS  
DECKPLATE OPTIONS**

4" and 8" models available

**MULTIPLE AERATOR/OUTLET  
AND NOZZLE OPTIONS**

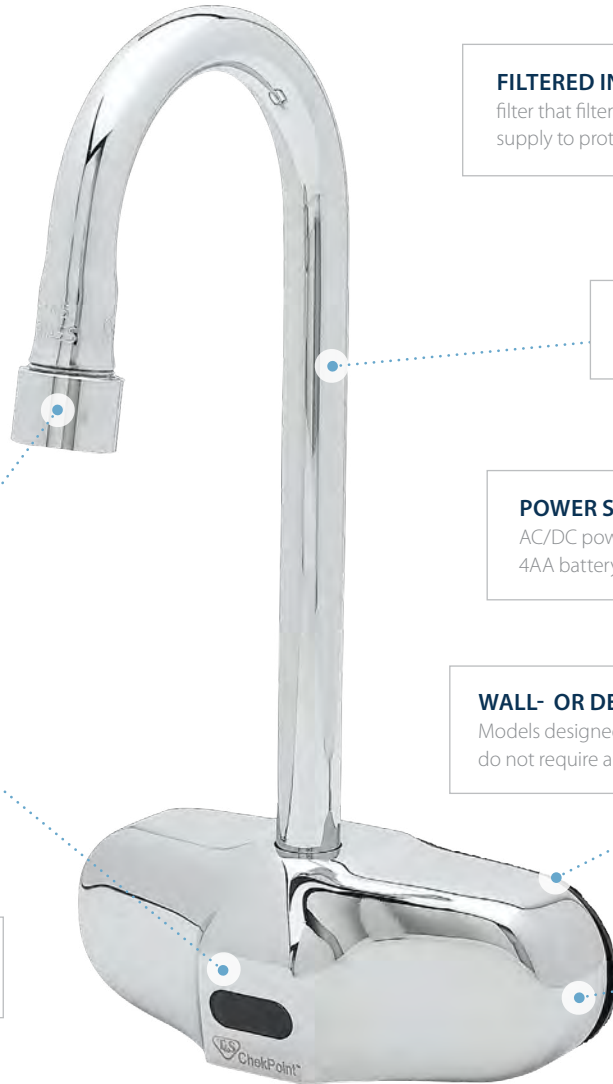
to accommodate any application

**ADJUSTABLE FEATURES**

Internal flow control settings for adjusting  
auto time-out and shut-off delay

**FAUCET GANGING OPTIONS**

EC-Easywire and EC-hardwire options  
allow installation of up to 8 faucets  
on one power supply





- EC-3101**
- Wall mount chrome plated electronic faucet
  - 2.2 GPM vandal resistant aerator (B-0199-06)
  - Rigid gooseneck
  - Mechanical temperature mixing valve with integral check valves
  - AC/DC control module
  - (2) 18" flex. supply hoses with 3/8" compression fittings

**EC-3101-HG**

- Same as B-3101 but with hydrogenerator power supply



- EC-3105**
- 4" c/c (2 hole) wall mount electronic sensor faucet
  - 2.2 GPM vandal resistant aerator (B-0199-06)
  - Designed for 4" centerset two-hole installations
  - AC/DC control module (electric plug-in and battery)
  - (2) 18" flexible supply hoses / 3/8" compression fittings
  - Mechanical temperature mixing valve with integral check valves

**EC-3105-HG**

- Same as B-3105 but with hydrogenerator power supply



- EC-3107**
- 4" c/c (2 hole) deck mount faucet with polished chrome plated brass body
  - 4 1/8" rigid gooseneck
  - 2.2 GPM vandal resistant aerator (B-0199-06)
  - Hydro-generator power supply
  - (2) 18" flexible supply hoses / 3/8" compression fittings
  - Mechanical temperature mixing valve with integral check valves
  - Designed for 4" centerset two-hole installations

**EC-3107-HG**

- Same as B-3107 but with hydrogenerator power supply



- EC-3104-VF05**
- 4" c/c (2 hole) deck mount chrome plated electronic faucet with cast spout
  - 0.5 GPM vandal resistant non-aerated spray device (B-0199-08-N05)
  - Above deck electronics for easy control, installation and maintenance
  - Plug in AC transformer or (4) AA battery (DC) power options
  - Mechanical temperature mixing valve with integral check valves
  - 18" flexible stainless steel supply hoses with 3/8" compression connections

**EC-3104-VF05-HG**

- Same as EC-3104-VF05 but with hydrogenerator power supply



- EC-HYDROGEN**
- Hydrogenerator power supply Installation package
  - 1/2" NPSM male inlet and outlet
  - Minimal flow rate of 1.0 GPM required to activate unit



- EC-HYDROGEN-LF**
- Hydrogenerator power supply Installation package
  - 1/2" NPSM male inlet and outlet
  - For use with flow rates of 0.5 GPM up to 1.0 GPM maximum

# Did You Know? Gas Connectors Cannot Be Reused

## Replacing or Moving Appliances

Gas Connectors **cannot be reused** when an appliance is being **replaced** or **moved** to a new location.

- ANSI Z21.69 / CSA 6.16 Standard

## Yellow Coating Awareness and Usage

**YELLOW** coating complies with the **ASME A 13.1** color designation for **flammable** and **oxidizing**.

**SAFE-T-LINK**

ASME A 13.1



## T&S SAFE-T-LINK Gas Hoses

Safer. More Reliable. Made To Last



# Connect with confidence: SAFE-T-LINK GAS CONNECTORS

## WELDED FITTINGS:

Will not pull off under stress

## FREESPIN FITTING:

360-degree rotation prevents twisting of hose during appliance movement

## EXTRUDED COATING:

Unlike dipped coatings, does not intrude on braid and maintains even thickness for strength and flexibility

## SWIVELINK SWIVEL:

Increased mobility and space savings

## SHUT-OFF VALVE (QDV):

Prevents gas connector from being disconnected until the valve handle is in the off position

## YELLOW COLOR:

Complies with ASME A 13.1 color designation for hazardous materials

## OPTIONAL QUICK-DISCONNECTS:

Available for wall and appliance ends

## STAINLESS STEEL BRAIDED HOSE:

Machine braided tight fit provides increased tensile strength vs. gapped braid

## LEADING HOSE STRENGTH:

Requires 64% more force to kink hose vs. competitors

## MULTIPLE SIZE OPTIONS:

24" to 72" lengths and 1/2" NPT to 1" NPT internal thread and diameters

## LONG-LASTING DURABILITY:

Last 2.5 times as long as competitors in appliance pull-away tests



Specifying An **HG-2** and **HG-4** Gas Appliance Connector

HG- A B - C D - E

**A** **Hose Design**

Male to Male	2
Male to Quick Disconnect	4

**B** **Internal Thread and Diameter**

1/2" NPT	C
3/4" NPT	D
1" NPT	E
1 1/4" NPT	F

**C** **Length**

24"	24
36"	36
48"	48
60"	60
72"	72



HG-2



HG-2S



HG-4



HG-4S

**Example:** Gas hose and Installation Kit with Quick Disconnect Valve, 3/4" NPT and 48" long with SwiveLink fittings, includes POSI-SET™:

**HG-4D-48SK**

**D** **Suffixes**

**SwiveLink** Add SwiveLink fitting to both ends of the hose fittings **S**

**Installation Kit** Includes everything necessary for an installation **K**

**E** **POSI-SET™** Includes one pair POSI-SET™ (Wheel Placement System for Moveable Cooking Equipment) **PS**

Specifying An **HG-4** Gas Appliance Connector with Safe-T-Guard™ Quick Disconnect Valve Combination Device

HG-4 A - B C - D - E

**A** **Internal Thread and Diameter**

1/2" NPT	C
3/4" NPT	D
1" NPT	E

**Example:** Gas hose and Installation Kit with Quick Disconnect Valve, 3/4" NPT and 48" long with SwiveLink fittings, includes POSI-SET™:

**HG-4D-48GS-K-PS**

**B** **Length**

24"	24
36"	36
48"	48
60"	60
72"	72

**C** **Quick Disconnect Valve Options**

2-Piece quick disconnect valve combination device	G
2-Piece quick disconnect valve combination device and SwiveLink fittings on both ends	GS



HG-4G



HG-4GS

**D** **Suffixes**

**Installation Kit** Includes everything necessary for an installation **K**

**E** **POSI-SET™** Includes one pair POSI-SET™ (Wheel Placement System for Moveable Cooking Equipment) **PS**

Specifying An **HG-4SEL** Gas Appliance Connector with Single SwiveLink Fitting and Quick Disconnect

HG-4 A - B C - D

**A**

**Internal Thread and Diameter**

1/2" NPT	C
3/4" NPT	D
1" NPT	E
1 1/4" NPT	F

**B**

**Length**

24"	24
36"	36
48"	48
60"	60
72"	72

**C**

**Single Swivel Models**

Includes (1) SwiveLink, (1) street elbow, (1) ball valve and a restraining cable

**SEL**



HG-4SEL

**Example:** Gas hose with two-piece Quick Disconnect. (1) SwiveLink fitting, (1) street elbow, (1) ball valve and a restraining cable:

**HG-4D-48SEL**

**D**

**Suffixes**

**POSI-SET™** Includes one pair POSI-SET™ (Wheel Placement System for Moveable Cooking Equipment) **PS**

Specifying An **HG-4GSEL** Gas Appliance Connector with Safe-T-Guard™ Quick Disconnect Valve Combination Device

HG-4 A - B C - D - E

**A**

**Internal Thread and Diameter**

1/2" NPT	C
3/4" NPT	D
1" NPT	E

**B**

**Length**

24"	24
36"	36
48"	48
60"	60
72"	72

**C**

**Safe-T-Guard™ Device**

2-Piece quick disconnect valve combination device

**G**



HG-4GSEL

**Example:** Gas hose with Safe-T-Guard™ Quick Disconnect Valve, one SwiveLink fitting, (1) elbow and restraining cable:

**HG-4D-48G-SEL**

**D** Includes (1) SwiveLink, (1) street elbow and a restraining cable **SEL**

**E** **POSI-SET™** Includes one pair POSI-SET™ (Wheel Placement System for Moveable Cooking Equipment) **PS**



**GAS APPLIANCE CONNECTORS CAPACITY**

MINIMUM B.T.U. PER HOUR (IN THOUSANDS) REF: ANSI Z21.69 / CSA 6.16



	12"	24"	36"	48"	60"	72"	
<b>HG-2</b>	C= 1/2"	166	150	125	106	95	86
	D= 3/4"	320	291	250	215	200	174
	E= 1"	639	582	515	443	395	348
	F= 1 1/4"	1185	1075	945	818	735	634
<b>HG-2-S</b>	12"	24"	36"	48"	60"	72"	
	C= 1/2"	140	129	111	97	90	84
	D= 3/4"	320	291	250	215	200	174
	E= 1"	639	582	515	443	395	348
<b>HG-4</b>	12"	24"	36"	48"	60"	72"	
	C= 1/2"	92	85	75	70	65	55
	D= 3/4"	259	235	220	180	160	140
	E= 1"	455	420	380	335	290	280
<b>HG-4-S</b>	F= 1 1/4"	770	700	620	540	475	420
	12"	24"	36"	48"	60"	72"	
<b>HG-4G</b>	C= 1/2"	92	85	75	70	65	55
	D= 3/4"	259	235	220	180	160	140
<b>HG-4GS</b>	E= 1"	455	420	380	335	290	280



# equip



## **5F-8WLZ12**

- 8" wall mount mixing faucet
- 1/2" NPT female inlets with 2" wall flanges
- 12" equip swing nozzle with laminar flow device
- Quarter-turn ceramic cartridges
- Includes 1/2" NPT Supply Kit
- **Installation Kit Available: B-0230-KIT**
- **Case Pack Available: 5F-8WLZ12-PQ6 (6)**

## **5F-8WLZ08**

- Same as 5F-8WLZ12 but with 8" swing nozzle
- **Installation Kit Available: B-0230-KIT**
- **Case Pack Available: 5F-8WLZ08-PQ6 (6)**

## **5F-8WLZ14**

- Same as 5F-8WLZ12 but with 14" swing nozzle
- **Installation Kit Available: B-0230-KIT**
- **Case Pack Available: 5F-8WLZ14-PQ6 (6)**



## **5F-4WLX03**

- 4" wall mount mixing faucet
- 1/2" NPT male inlets
- 3" equip swivel gooseneck with 2.2 GPM aerator
- Quarter-turn ceramic cartridges
- **Case Pack Available: 5F-4WLX03-PQ6 (6)**

## **5F-4WLX06**

- Same as 5F-4WLX03 but with 6" swing nozzle with 2.2 GPM aerator
- **Case Pack Available: 5F-4WLX06-PQ6 (6)**



## **5F-4CLX06**

- 4" wall mount mixing faucet
- 1/2" NPT male inlets
- 6" swing nozzle with laminar flow device
- Quarter-turn ceramic cartridges
- 6" swing nozzle with laminar full flow device
- **Case Pack Available: 5F-4CLX06-PQ6 (6)**



**5PR-8WLZ00**

- 8" wall mount mixing faucet
- 1.15 GPM spray valve
- Adjustable centers 7 3/4" to 8 1/4"
- 1/2" NPT female eccentric inlets with 2" flanges
- 18" rigid riser
- 6" adjustable wall bracket
- Quarter-turn ceramic cartridges
- 44" flexible stainless steel hose with heat resistant black handle and hold down ring
- Includes 1/2" NPT Supply Kit
- **Case Pack Available: 5PR-8WLZ00-PQ6 (6)**

**5PR-8WLZ12**

- Same as 5PR-8WLZ00 but with add-on faucet and 12" swing nozzle
- **Case Pack Available: 5PR-8WLZ12-PQ6 (6)**



**5PR-2S00**

- Single hole deck mount mixing faucet
- 1.15 GPM spray valve
- 1/2" BSPP in-line check valves
- 18" flexible stainless steel supply hoses with 1/2" NPSM / 5/8" compression connections
- Quarter-turn ceramic cartridges
- 44" flexible stainless steel hose with heat resistant black handle and hold down ring
- **Case Pack Available: 5PR-2S00-PQ6 (6)**

**5PR-2S12**

- Same as 5PR-2S00 but with add-on faucet and 12" swing nozzle



**5GF-8P**

- 8" high deck glass filler
- 1/2" NPT male inlet
- Pedestal with adjustable deck flange
- Push back actuation arm with instantaneous shut-off
- **Case Pack Available: 5GF-8P-PQ6 (6)**



**5AFL12**

- Add-on faucet
- 12" swing nozzle with laminar full flow device
- 3" nipple with 3/8" NPT male inlet
- 3/8" NPT female outlet
- Quarter-turn ceramic cartridges
- **Case Pack Available: 5AFL12-PQ6 (6)**

**5AFL08**

- Same as 5AFL12 but with 8" swing nozzle
- **Case Pack Available: 5AFL08-PQ6 (6)**



- 5SV**
- 1.15 GPM spray valve
- 3/4-14 UN male inlet fitting
- **Case Pack Available: 5SV-PQ6 (6)**



- 5SV-C**
- 1.20 GPM spray valve
- 3/4-14 UN male inlet fitting
- **Case Pack Available: 5SV-C-PQ6 (6)**



- 5SP-08**
- 8" swing nozzle
- Laminar flow outlet device
- **Case Pack Available: 5SP-08-PQ6 (6)**

- 5SP-12**
- Same as 5SP-08 but with 12" swing nozzle
- **Case Pack Available: 5SP-12-PQ6 (6)**



- 5HSE44**
- 44" flexible stainless steel hose with heat resistant black handle
- 3/4-14 UN female inlet
- 3/4-14 UN female outlet
- Hose washers included
- **Case Pack Available: 5HSE44-PQ6 (6)**

**NOTES...** \_\_\_\_\_  
\_\_\_\_\_  
\_\_\_\_\_  
\_\_\_\_\_  
\_\_\_\_\_  
\_\_\_\_\_  
\_\_\_\_\_  
\_\_\_\_\_  
\_\_\_\_\_  
\_\_\_\_\_



**5HR-232-01**

- Epoxy coated open hose reel
- 35' (10.7 m) hose length
- 3/8" hose rated at 300 PSI with a maximum temperature of 140°F
- 5SV-WH high flow spray valve
- 3/8" NPT female inlet
- Multi-fit bracket for wall, ceiling or under counter mounting
- Adjustable hose bumper



**5HR-351-01**

- Stainless steel open dual arm hose reel
- 65' (19.8 m) hose length
- 1/2" hose rated at 300 PSI with a maximum temperature of 140°F
- 5SV-WH high flow spray valve
- 1.5m x 1/2" supply hose with 1/2" NPSM female inlet

**5HR-361-01**

- Same as 5HR-351-01 but with 82' (25 m) hose length



**5HR-351-12**

- Stainless steel open dual arm hose reel
- 65' (19.8 m) hose length
- 1/2" hose rated at 300 PSI with a maximum temperature of 140°F
- EMV-0522-24 spray valve
- 1.5m x 1/2" supply hose with 1/2" NPSM female inlet

**5HR-361-12**

- Same as 5HR-351-12 but with 82' (25 m) hose length



**021131-45**

- Stainless steel wall mount swing bracket designed for 1/2" heavy duty hose reels
- 100° rotation
- Designed for one person installation
- Fits equip stainless steel with 1/2" hose reels
- Includes reel-to-bracket mounting hardware
- Includes safety c-clips to secure hose reel after installation
- Positive stops built in to bracket to keep hose reel from hitting or damaging wall



## **T&S BRASS AND BRONZE WORKS, INC.**

2 Saddleback Cove • P.O. Box 1088 • Travelers Rest, SC 29690  
U.S. Toll-free 800-476-4103 • +1 864-834-4102 • Fax 800-868-0084  
E-mail [customerservice@tsbrass.com](mailto:customerservice@tsbrass.com)  
Canada Toll-free +1 888-288-0432

800-016255-45

Rev. 10

1/25